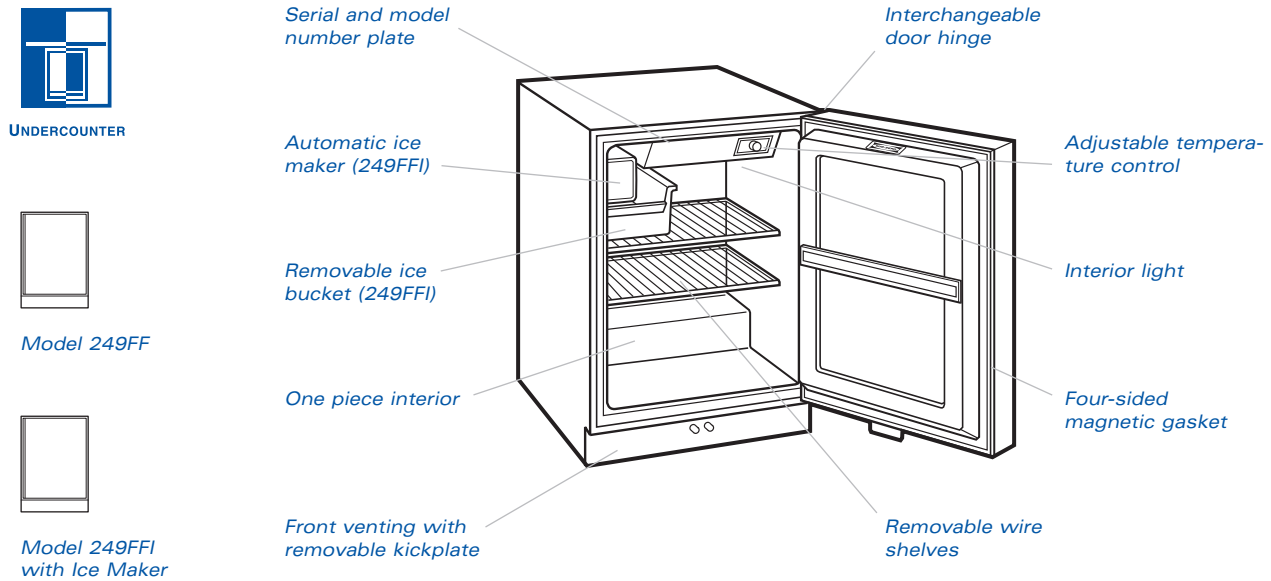


Undercounter Model 249FF(I) All Freezer



Aside from the full-size units Sub-Zero offers in its Built-In and Integrated lines of refrigeration, we round out our product line-up with a line of traditional Undercounter refrigeration which meets all of the exacting standards you have grown to expect from Sub-Zero.

If you desire, this unit could be matched with a 249RP and outfit a compact New York apartment with all the refrigeration space necessary. While that is a limited application, these units can sit side-by-side in any home bar area and be a great combination for those party situations.

This model should be ordered with or without an ice maker; you cannot retrofit the ice maker.

MODEL 249FF(I)

- ▶ Undercounter all freezer unit
- ▶ 24" (610) depth-true design for a complete built-in look
- ▶ Door accepts custom panels
- ▶ Smooth surface, easy-to-clean one piece interior
- ▶ Automatic ice maker in Model 249FFI provides an ample supply of crescent-shaped ice—removable ice bucket provided
- ▶ Automatic defrost
- ▶ Interchangeable hinge allows door swing to be reversed in the field
- ▶ Front venting with removable kickplate allows unit to be serviced from the front
- ▶ Solid core door with magnetic gasket and door closer
- ▶ UL approved for US and Canada
- ▶ Two, five and twelve year residential warranty—exclusions apply; warranty information can be found on our website, subzero.com



Undercounter Model 249FF(I)



UNDERCOUNTER

MODEL OPTIONS ▼

Undercounter Freezer	249FF
Undercounter Freezer with Automatic Ice Maker	249FFI

OPTIONAL DOOR PANELS

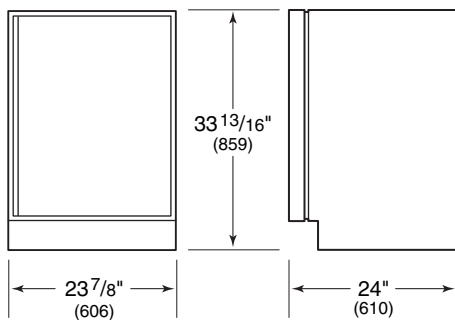
- ▶ White Enamel Steel
- ▶ Almond Enamel Steel
- ▶ Classic Stainless Steel

ACCESSORIES

- ▶ Hinge conversion kit
- ▶ Overlay panel conversion kit

Accessories are available through your Sub-Zero dealer. To obtain local dealer information, visit the Locator section of our website, subzero.com.

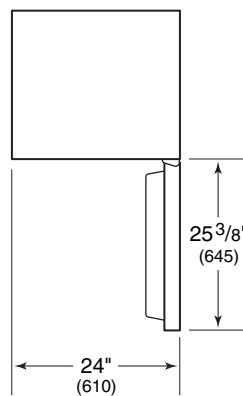
OVERALL DIMENSIONS ▼



SPECIFICATIONS ▼

Model 249FF(I)	Undercounter All Freezer Unit
Overall Width	23 ⁷ / ₈ " (606)
Overall Height	33 ¹³ / ₁₆ " (859)
Overall Depth	24" (610)
Freezer Capacity	4.6 cu ft (130 L)
Minimum Height Required	34 ¹ / ₄ " (870)
Door Swing Clearance	25 ³ / ₈ " (645)
Electrical Requirements	115 V AC, 60 Hz, 15 amp circuit
Annual Energy Usage (based on 9.06 cents per kilowatt hour)	479 kWh / \$44
Shipping Weight	135 lbs (61 kg)
Special Note	Door accepts custom wood panels or panels are available as sales accessories

Specifications are subject to change without notice.



Dimensions may vary by ± 1/8" (3).

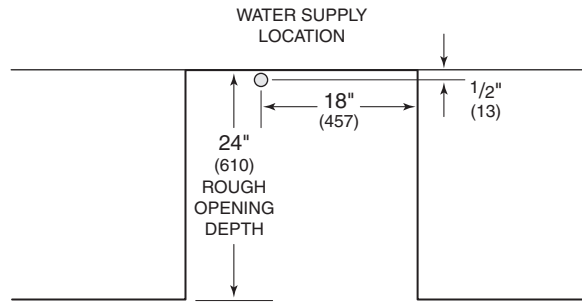
Dimensions in parentheses are in millimeters unless otherwise specified.

Undercounter Model 249FF(I)

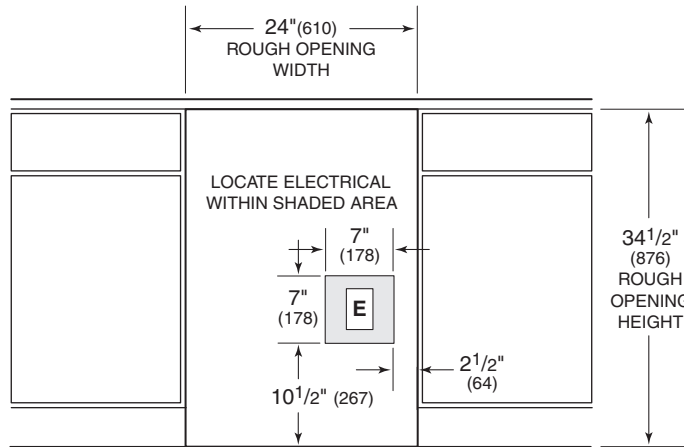
INSTALLATION SPECIFICATIONS



UNDERCOUNTER



TOP VIEW



FRONT VIEW

DIMENSIONS

Finished Rough Opening Width	24" (610)
Finished Rough Opening Height	34 1/2" (876)
Finished Rough Opening Depth	24" (610)
Location of Electrical	Within shaded area (front view)
Location of Water Supply (Model 249FFI)	Within shaded area (top view)

See Installation Instructions shipped with unit for detailed specifications.



Undercounter Model 249FF(I)

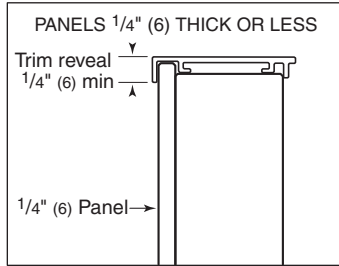
INSTALLATION NOTES

- ▶ Refer to the illustrations and specifications for overall dimensions, finished rough opening dimensions and installation specifics.
- ▶ For Model 249FFI with automatic ice maker, rough in the water supply line. Connect a 1/4" OD copper line to the house supply, being sure to use an easily accessible shut off valve between the supply and the unit.
- ▶ Do not use self-piercing valves. A saddle valve kit (4200880) is available from your Sub-Zero dealer. To obtain local dealer information, visit the Locator section of our website, subzero.com.
- ▶ A line filter is required when water conditions have a high sediment content. The ice maker operates on water pressure of 20 psi (1.4 bar) to 100 psi (6.9 bar). In some cases a reverse osmosis water filter system may not be able to maintain the minimum water pressure consistently.
- ▶ A 115 V AC, 60 Hz, 15 amp fused electrical supply is required. It is recommended that a separate circuit, serving only this appliance, be provided.
- ▶ All Undercounter models are equipped with a power supply cord with a 3-prong grounding plug which must be plugged into a mating 3-prong grounding type wall receptacle. Locate electrical within the shaded area shown in the illustration on page 3.
- ▶ You must follow all National Electrical Code regulations. In addition, be aware of local codes and ordinances when installing your service.
- ▶ Refer to the Undercounter Installation Instructions packed with the appliance, which provides step-by-step procedures for making sure the unit is installed properly.

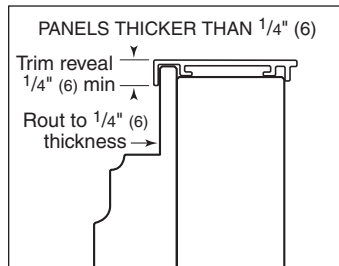
Undercounter Model 249FF(I)



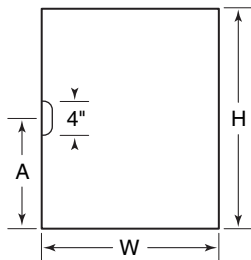
UNDERCOUNTER



Framed door panel 1/4" (6) thick or less



Framed door panel thicker than 1/4" (6)



Framed Door Panel

FRAMED PANELS

Framed door panels must be 1/4" (6) thick around the perimeter. If the panel is thicker than 1/4" (6), an edge must be routed around the panel to ensure a proper fit. Refer to the illustrations on this page.

IMPORTANT NOTE: The weight of the panel cannot exceed 20 lbs (9 kg).

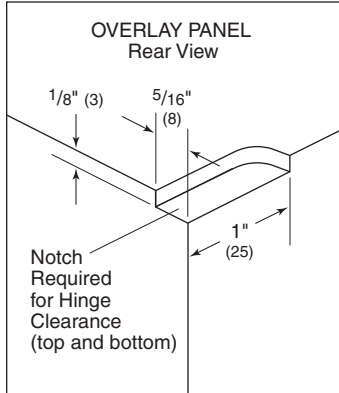
FRAMED PANEL DIMENSIONS

	WIDTH	HEIGHT
Door Panel	23 5/8" (600)	30" (762)
Handle Recess Location (A)		15" (381)
Maximum Panel Weight		20 lbs (9 kg)

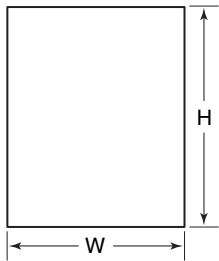
Undercounter Model 249FF(I)



UNDERCOUNTER



Notch required for hinge clearance



Overlay Door Panel

OVERLAY PANEL

The overlay door panel design allows for a decorative panel to cover the door trim for a more seamless appearance. To achieve this look, the most common way is to work with three panels – the decorative $\frac{3}{4}$ " (19) thick overlay panel, a 0.10" (3) thick spacer panel and a $\frac{1}{4}$ " (6) thick backer panel. An accessory kit (OVERPAN) is required in order to accommodate the proper installation of the overlay panel. Additional specifications will be provided with the accessory kit.

IMPORTANT NOTE: An area must be notched out on the back edge of the overlay panel at both the top and bottom hinges to avoid interference as shown in illustration on this page.

Keep in mind that the Sub-Zero door panels have the potential for hitting adjacent cabinets and/or countertops when they are opened. You need to be aware of your surrounding cabinetry and space limitations when using the overlay units. Refer to the full-scale illustration on page 7.

You will need to follow the exact dimensions and panel placement for your model to ensure a proper fit. Refer to the overlay panel specifications below.

IMPORTANT NOTE: The weight of the panel assembly cannot exceed 20 lbs (9 kg).

IMPORTANT NOTE: The total thickness of all panels for an overlay model must be at least $\frac{5}{8}$ " (16) thick.

OVERLAY PANEL DIMENSIONS

	WIDTH	HEIGHT
Door Panel	24" (610)	30 $\frac{5}{16}$ " (770)
Door Spacer	23" (584)	29 $\frac{3}{8}$ " (746)
Door Backer	23 $\frac{5}{8}$ " (600)	30" (762)
Maximum Weight (panel assembly)		20 lbs (9 kg)

Undercounter Model 249FF(I)

OVERLAY PANEL

