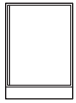




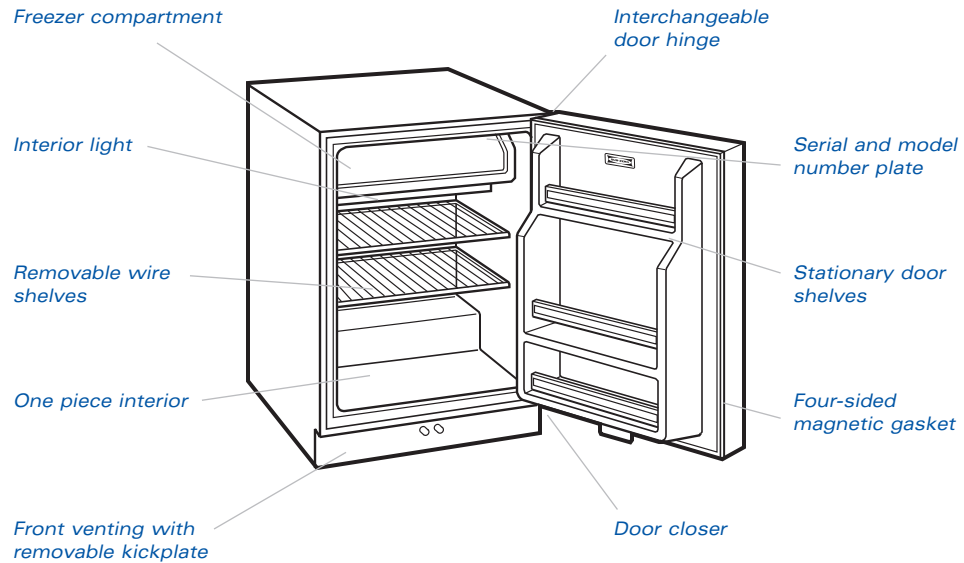
## Undercounter Model 249R Refrigerator/Freezer



UNDERCOUNTER



Model 249R



**A**side from the full-size units Sub-Zero offers in its Built-In and Integrated lines of refrigeration, we round out our product line-up with a line of traditional Undercounter refrigeration which meets all of the exacting standards you have grown to expect from Sub-Zero.

If you cannot run water to the space and still want to have the capability of having some ice at your disposal, this unit is for you. It maximizes the refrigeration space and keeps the freezer to a minimum. Keep in mind, however, that unit does not have automatic defrost, but it may be just right for your clients.

### MODEL 249R

- ▶ Undercounter refrigerator/freezer combination unit
- ▶ 24" (610) depth-true design for a complete built-in look
- ▶ Door accepts custom panels
- ▶ Smooth surface, easy-to-clean one piece interior
- ▶ Freezer compartment has two ice cube trays
- ▶ Manual defrost
- ▶ Interchangeable hinge allows door swing to be reversed in the field
- ▶ Front venting with removable kickplate allows unit to be serviced from the front
- ▶ Solid core door with magnetic gasket and door closer
- ▶ UL approved for US and Canada
- ▶ Two, five and twelve year residential warranty—exclusions apply; warranty information can be found on our website, [subzero.com](http://subzero.com)



## Undercounter Model 249R



UNDERCOUNTER

### OPTIONAL DOOR PANELS

- ▶ White Enamel Steel
- ▶ Almond Enamel Steel
- ▶ Classic Stainless Steel

### ACCESSORIES

- ▶ Hinge conversion kit
- ▶ Overlay panel conversion kit

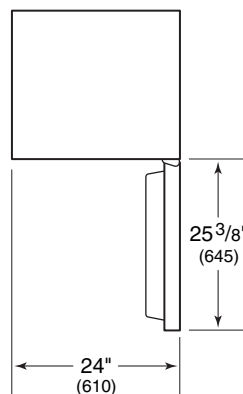
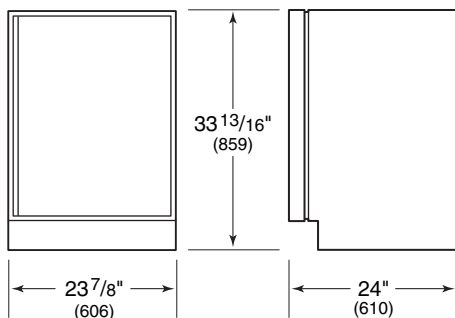
Accessories are available through your Sub-Zero dealer. To obtain local dealer information, visit the Locator section of our website, [subzero.com](http://subzero.com).

### SPECIFICATIONS

Model 249R	Undercounter Refrigerator/Freezer
Overall Width	23 <sup>7</sup> / <sub>8</sub> " (606)
Overall Height	33 <sup>13</sup> / <sub>16</sub> " (859)
Overall Depth	24" (610)
Refrigerator Capacity	4.4 cu ft (125 L)
Freezer Capacity	.7 cu ft (20 L)
Minimum Height Required	34 <sup>1</sup> / <sub>4</sub> " (870)
Door Swing Clearance	25 <sup>3</sup> / <sub>8</sub> " (645)
Electrical Requirements	115 V AC, 60 Hz, 15 amp circuit
Annual Energy Usage (based on 9.06 cents per kilowatt hour)	354 kWh / \$33
Shipping Weight	120 lbs (54 kg)
Special Note	Door accepts custom wood panels or panels are available as sales accessories

- ▶ Specifications are subject to change without notice.

### OVERALL DIMENSIONS



Dimensions may vary by ±<sup>1</sup>/<sub>8</sub>" (3).

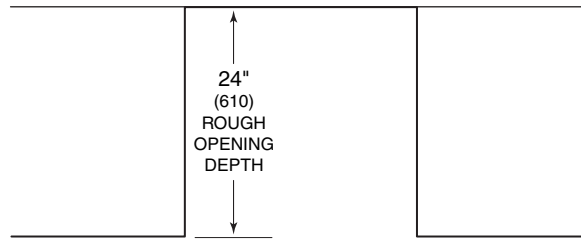
Dimensions in parentheses are in millimeters unless otherwise specified.

## Undercounter Model 249R

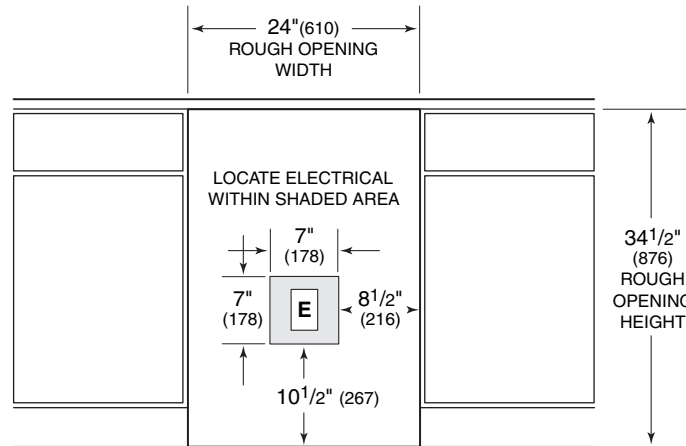
### INSTALLATION SPECIFICATIONS



UNDERCOUNTER



TOP VIEW



FRONT VIEW

#### DIMENSIONS

Finished Rough Opening Width	24" (610)
Finished Rough Opening Height	34 1/2" (876)
Finished Rough Opening Depth	24" (610)
Location of Electrical	Within shaded area

See Installation Instructions shipped with unit for detailed specifications.



## Undercounter Model 249R

### INSTALLATION NOTES

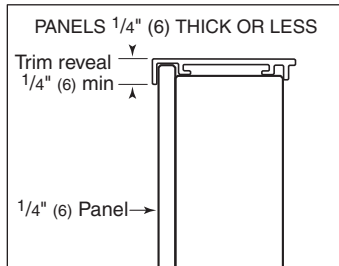
---

- ▶ Refer to the illustrations and specifications for overall dimensions, finished rough opening dimensions and installation specifics.
  - ▶ A 115 V AC, 60 Hz, 15 amp fused electrical supply is required. It is recommended that a separate circuit, serving only this appliance, be provided.
  - ▶ All Undercounter models are equipped with a power supply cord with a 3-prong grounding plug which must be plugged into a mating 3-prong grounding type wall receptacle. Locate electrical within the shaded area shown in the illustration on page 3.
- 
- ▶ You must follow all National Electrical Code regulations. In addition, be aware of local codes and ordinances when installing your service.
  - ▶ Refer to the Undercounter Installation Instructions packed with the appliance, which provides step-by-step procedures for making sure the unit is installed properly.

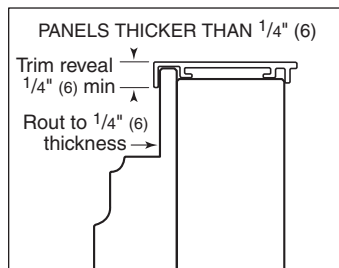
## Undercounter Model 249R



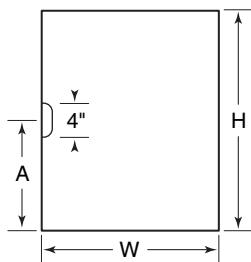
UNDERCOUNTER



Framed door panel 1/4" (6) thick or less



Framed door panel thicker than 1/4" (6)



Framed Door Panel

### FRAMED PANELS

Framed door panels must be 1/4" (6) thick around the perimeter. If the panel is thicker than 1/4" (6), an edge must be routed around the panel to ensure a proper fit. Refer to the illustrations on this page.

**IMPORTANT NOTE:** The weight of the panel cannot exceed 20 lbs (9 kg).

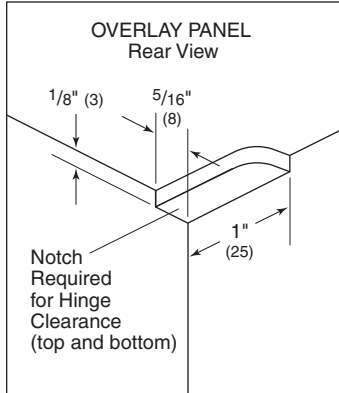
### FRAMED PANEL DIMENSIONS

	WIDTH	HEIGHT
Door Panel	23 5/8" (600)	30" (762)
Handle Recess Location (A)		15" (381)
Maximum Panel Weight		20 lbs (9 kg)

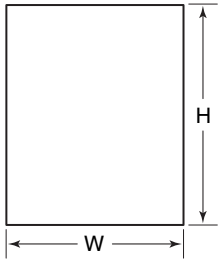
## Undercounter Model 249R



UNDERCOUNTER



Notch required for hinge clearance



Overlay Door Panel

### OVERLAY PANEL

The overlay door panel design allows for a decorative panel to cover the door trim for a more seamless appearance. To achieve this look, the most common way is to work with three panels – the decorative  $\frac{3}{4}$ " (19) thick overlay panel, a 0.10" (3) thick spacer panel and a  $\frac{1}{4}$ " (6) thick backer panel. An accessory kit (OVERPAN) is required in order to accommodate the proper installation of the overlay panel. Additional specifications will be provided with the accessory kit.

**IMPORTANT NOTE:** An area must be notched out on the back edge of the overlay panel at both the top and bottom hinges to avoid interference as shown in illustration on this page.

Keep in mind that the Sub-Zero door panels have the potential for hitting adjacent cabinets and/or countertops when they are opened. You need to be aware of your surrounding cabinetry and space limitations when using the overlay units. Refer to the full-scale illustration on page 7.

You will need to follow the exact dimensions and panel placement for your model to ensure a proper fit. Refer to the overlay panel specifications below.

**IMPORTANT NOTE:** The weight of the panel assembly cannot exceed 20 lbs (9 kg).

**IMPORTANT NOTE:** The total thickness of all panels for an overlay model must be at least  $\frac{5}{8}$ " (16) thick.

### OVERLAY PANEL DIMENSIONS

	WIDTH	HEIGHT
Door Panel	24" (610)	30 $\frac{5}{16}$ " (770)
Door Spacer	23" (584)	29 $\frac{3}{8}$ " (746)
Door Backer	23 $\frac{5}{8}$ " (600)	30" (762)
Maximum Weight (panel assembly)		20 lbs (9 kg)

## Undercounter Model 249R

### OVERLAY PANEL

