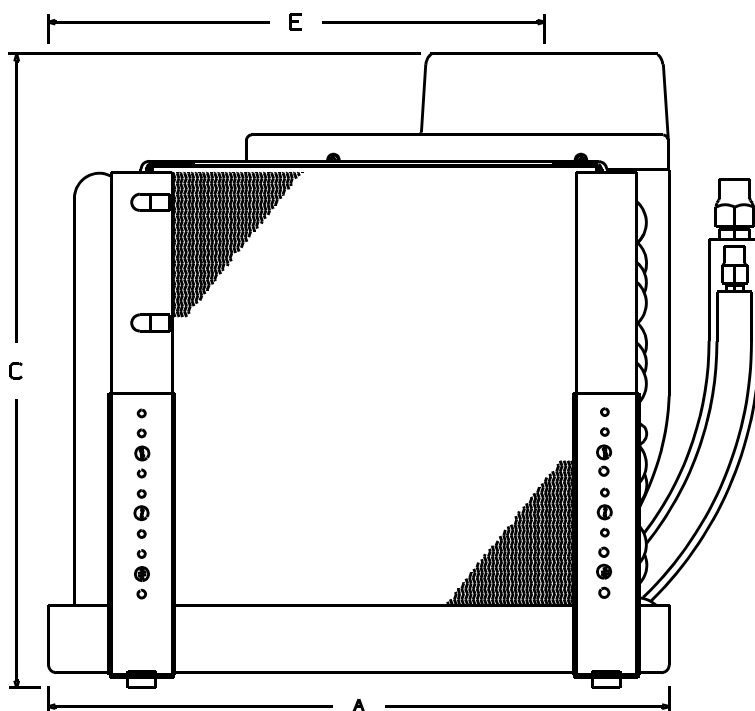
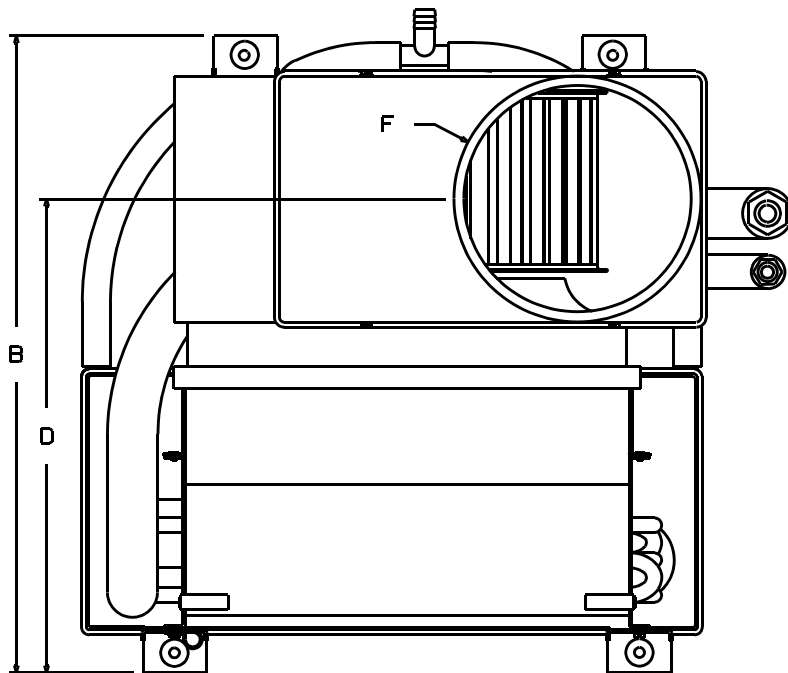


## Standard Features

- < Fan coil units in 12-16,000 BTU/H ( 3,024-4,032 KCAL/H ) sizes.
- < Available in 115-1-50/60 input or 230-1-50/60 input models.
- < Can be used with either cooling only or reverse cycle ( heating/cooling ) systems
- < Rotatable blower for ease of ducting



- < High capacity squirrel cage blower is designed for quiet operation with flexible duct systems
- < Standard flexible duct connector is installed standard on the blower discharge. This connector also directly adapts to the Aqua-Air AT series adapter duct tees.
- < Dual condensate drain outlets on the drain pan are factory connected into a common 1/2" hose barb tee for ease of installation.
- < Antifungal, antislush foam media is installed in the internally corrosion resistant coated drain pan.
- < All external condensate producing surfaces are covered with 1/8" thick foam insulation.
- < Vertically adjustable mounting legs with rubber vibration pads and mounting screws.
- < Refrigerant line connections are 18" long. Flare fittings with flare nuts are provided.
- < Removable lint screen installed on the front of the coil.
- < A plastic clamp is installed on the face of the unit for mounting the thermostat sensor.
- < Designed for use with either the K(H) Series or AQF(H) Series condensing units.
- < Can be used with either a three knob manual control (AQS1 or AQS3 Series) or the Tempwise 2001 digital thermostat.
- < Ideal for mounting low in the bottom of closets or under seats or bunks.

<b>Technical Specifications</b>			
<b>Model</b>		<b>AQOC-12</b>	<b>AQOC-16</b>
<b>Cooling Capacity</b>	<b>BTU/H</b>	12,000	16,000
	<b>KCAL/H</b>	3,024	4,032
	<b>TONS</b>	1.00	1.33
<b>Air Flow</b>	<b>CFM</b>	400	533
	<b>m<sup>3</sup>/HR</b>	679	904
<b>Weight</b>	<b>LBS.</b>	28 / 62	
	<b>KGS.</b>		
<b>Width</b>	<b>A</b>	<b>IN / MM</b>	
		15-3/8" / 391	
<b>Length</b>	<b>B</b>	<b>IN / MM</b>	
		15-7/8" / 403	
<b>Height</b>	<b>C</b>	<b>IN / MM</b>	
		15-3/4" / 400	
<b>Air Discharge Center Line</b>	<b>D</b>	<b>IN / MM</b>	
		11-3/4" / 298	
	<b>E</b>	<b>IN / MM</b>	
		12-1/4" / 311	
<b>Hose Adapter Diameter</b>	<b>F</b>	<b>IN / MM</b>	
		6" / 152	
<b>Amperage Draw</b>	<b>115v</b>	2.7	4.0
	<b>230v</b>	1.4	2.0
<b>Power</b>	<b>Watts</b>	311	460
<b>Minimum Return Air Grille Size</b>	<b>IN<sup>2</sup></b>	120	144
	<b>CM<sup>2</sup></b>	775	930
<b>Minimum Supply Air Grille Size</b>	<b>IN<sup>2</sup></b>	60	72
	<b>CM<sup>2</sup></b>	387	465
<b>Flare Connection Size</b>	<b>Suction</b>	3/8"	1/2"
	<b>Liquid</b>	1/4"	1/4"

Add 'C' to the end of the model number for a 230 volt unit. Example: AQO-12C

I:\wordpfct\80050.wpd

**AQUA-AIR MANUFACTURING, division of the James D. Nall Co., Inc.**  
**1050 East 9th Street, Hialeah, Florida 33010 U.S.A.**  
**Ph. 305-884-8363 Fax 305-883-8549 Email sales@aquair.com**