

Sapphire...the most advanced, aesthetically pleasing, rugged digital thermostat to grace the marine air conditioning industry yet. The technology, features and benefits address all our predecessors and those of the competition.

- Sapphire blue LED display
- Virtually unlimited choice of Vimar® bezels
- Largest fan and compressor circuit rating in the business.
- User friendly programming
- Unique fuse protection for circuits.

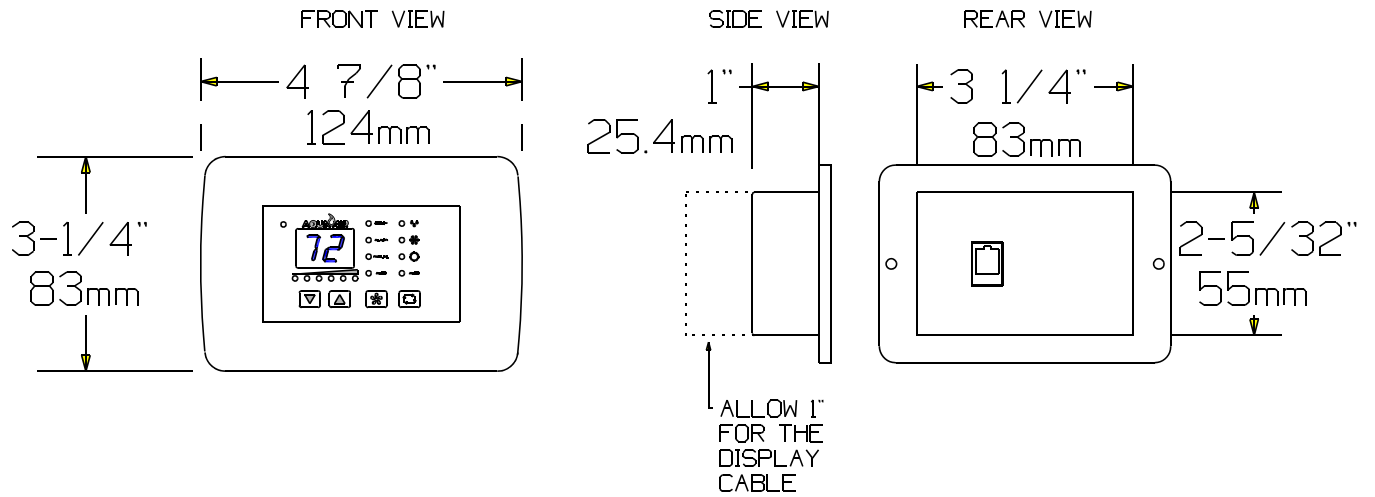


**TSV Digital Thermostat
with Black Vimar Bezel
Actual Size**

Sapphire Features

- Highest fan circuit rating in the industry...12 AMPS !!
- Sapphire Blue LED's with brightness control
- Dual voltage 115/230 capability
- Display cables are 50% smaller in diameter than the competitions making routing a snap
- Field replaceable fuse protection
- Modular plug connection for high and low pressure switches
- Uses less bulky 4 pin plugs for the display cable instead of the competitions 8
- Continuous room temperature display with one touch set point temperature display or change
- Maintains room temperature to within 2 degrees of set point
- Remote temperature sensing bulb or faceplate air temperature sensor can be used
- Fahrenheit or Centigrade temperature display
- Automatic or six manually selected fan speeds
- High speed and low speed fan limit settings
- LED bar graph visually indicates fan speed
- Fan can be set to run continuous or to cycle on and off as the room reaches the set point
- Dehumidification mode controls room temperature and humidity level
- Non-volatile EEPROM memory. Controller will not lose settings in memory due to power interruptions
- Compressors up to 12A can be operated directly from the controller

THERMOSTAT DIMENSIONS



SAPPHIRE DISPLAY

CONTROL MODULE

