



CHILLWATER FAN COIL DTH SERIES

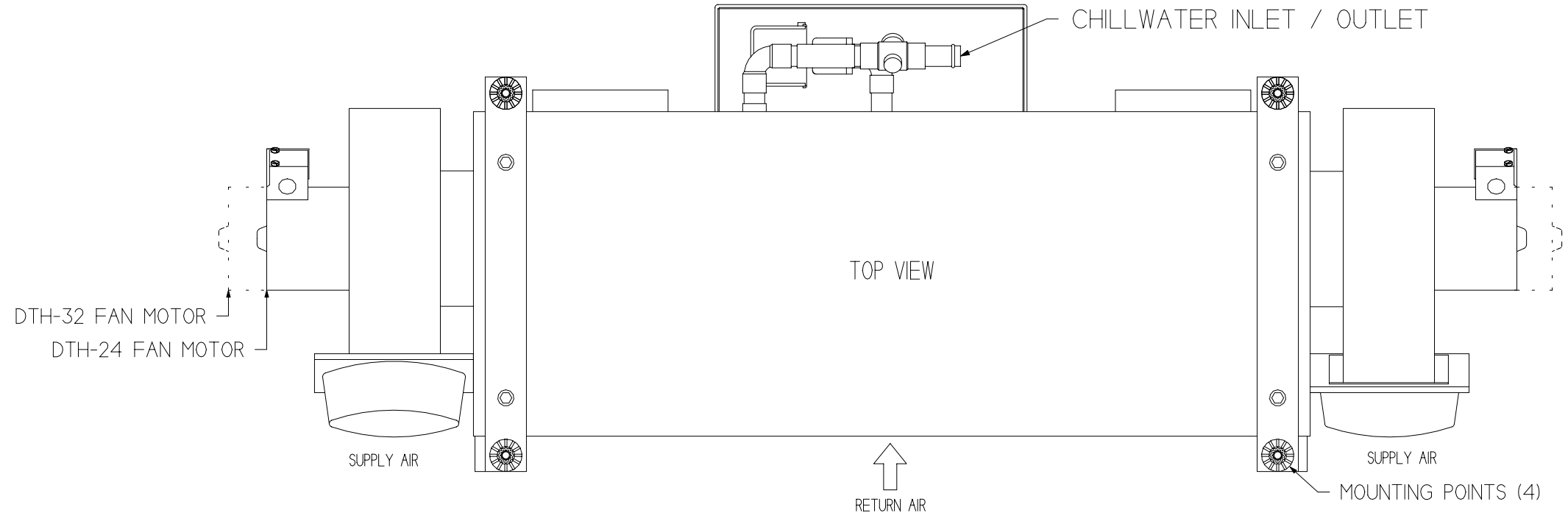
FEATURES

- Low profile unit is ideal for overhead installations
- All aluminum construction with copper tube/aluminum fin coils
- Dual high capacity squirrel cage blowers are designed for quiet operation with flexible duct systems.
- Blowers can be mounted on the sides or rear of the unit
- Standard 6" flexible duct connectors installed on each blower. This connector also adapts to the Aqua-Air AT series adapter duct tees.
- Three way motorized water valve is pre-installed on the unit. A separate valve assembly is not necessary.
- Sloped drain pan is coated internally with a corrosion inhibiting material and lined in the bottom with a foam anti-slosh media to prevent condensate spillage in the roughest seas.
- Two 3/4" OD condensate outlets at the bottom front of the drain pan sloped area
- Mounting brackets (2) with vibration mounts (4) provided for overhead mounting.
- The air bleeder is mounted on the end of a 24" plastic tube for easy access during commissioning of the system
- All external surfaces are covered in 1/8" thick foam insulation.
- Units available for 115/1/60, 100/1/50, 208-230/1/60 and 200-220/1/50 power inputs.
- Aqua-Air BH series blower heaters bolt directly to the discharge of the blowers.

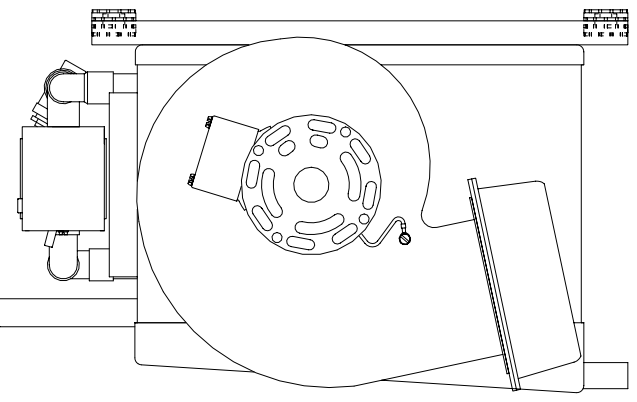
SPECIFICATIONS	DTH-24	DTH-32
COOLING CAPACITY	24,000 BTU/HR 6,048 KCAL/HR	32,000 BTU/HR 8,064 KCAL/HR
AIR FLOW CAPACITY	800 CFM 1360 M ³ H	1000 CFM 1700 M ³ H
WEIGHT	58 LBS 26.4 KGS	64 LBS 29.1 KGS
AMPERAGE DRAW	6.0 @ 115 3.0 @ 230	6.8 @ 115 3.4 @ 230
POWER CONSUMPTION	690 W	782 W
MINIMUM RETURN AIR GRILLE SIZE	200 in ² 1290 cm ²	288 in ² 1860 cm ²
MINIMUM SUPPLY AIR GRILLE SIZE	120 in ² 774 cm ²	144 in ² 930 cm ²
CHILLWATER INLET / OUTLET SIZE	7/8" OD 22 mm OD	7/8" OD 22 mm OD
CHILLWATER FLOW PRESSURE DROP	6 GPM 22.7 LPM 7.3' 21.8 kPa	8 GPM 30.3 LPM 16.9' 50.5 kPa
MAXIMUM DUCT HEATER (TOTAL)	3 Kw	4 Kw

ADD "C" TO THE END OF THE MODEL NUMBER FOR A 208-230/1/60 UNIT, "CK" FOR A 200-220/1/50 UNIT 80947.WPD

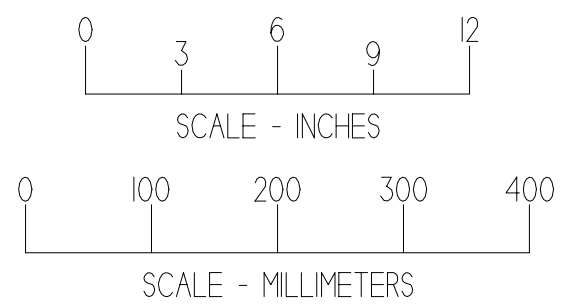
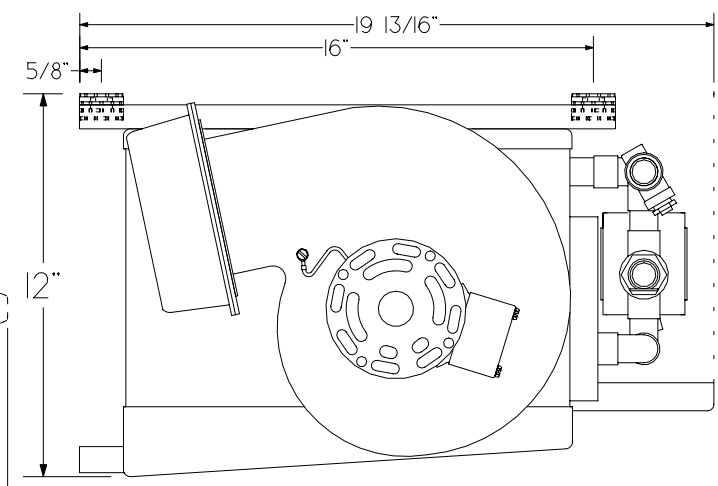
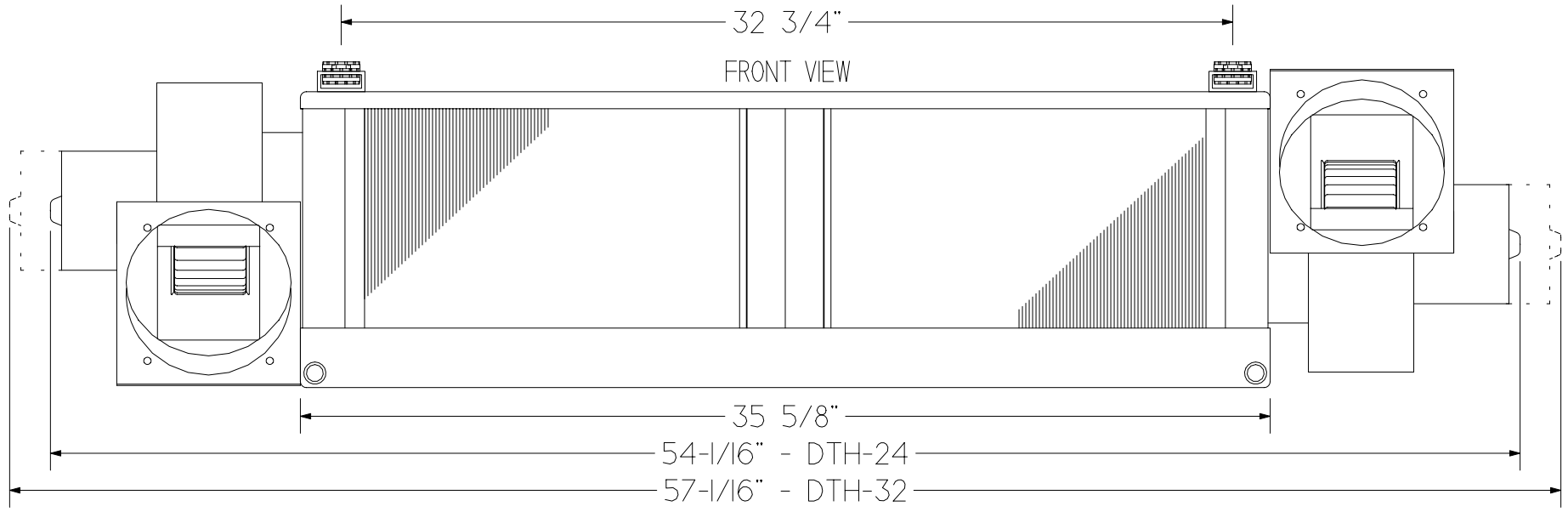
AQUA-AIR MANUFACTURING, division of the James D. Nall Co., Inc.
1050 East 9th Street, Hialeah, Florida 33010 U.S.A.
Ph. 305-884-8363 Fax 305-883-8549 E-mail sales@aquair.com



LEFT SIDE VIEW



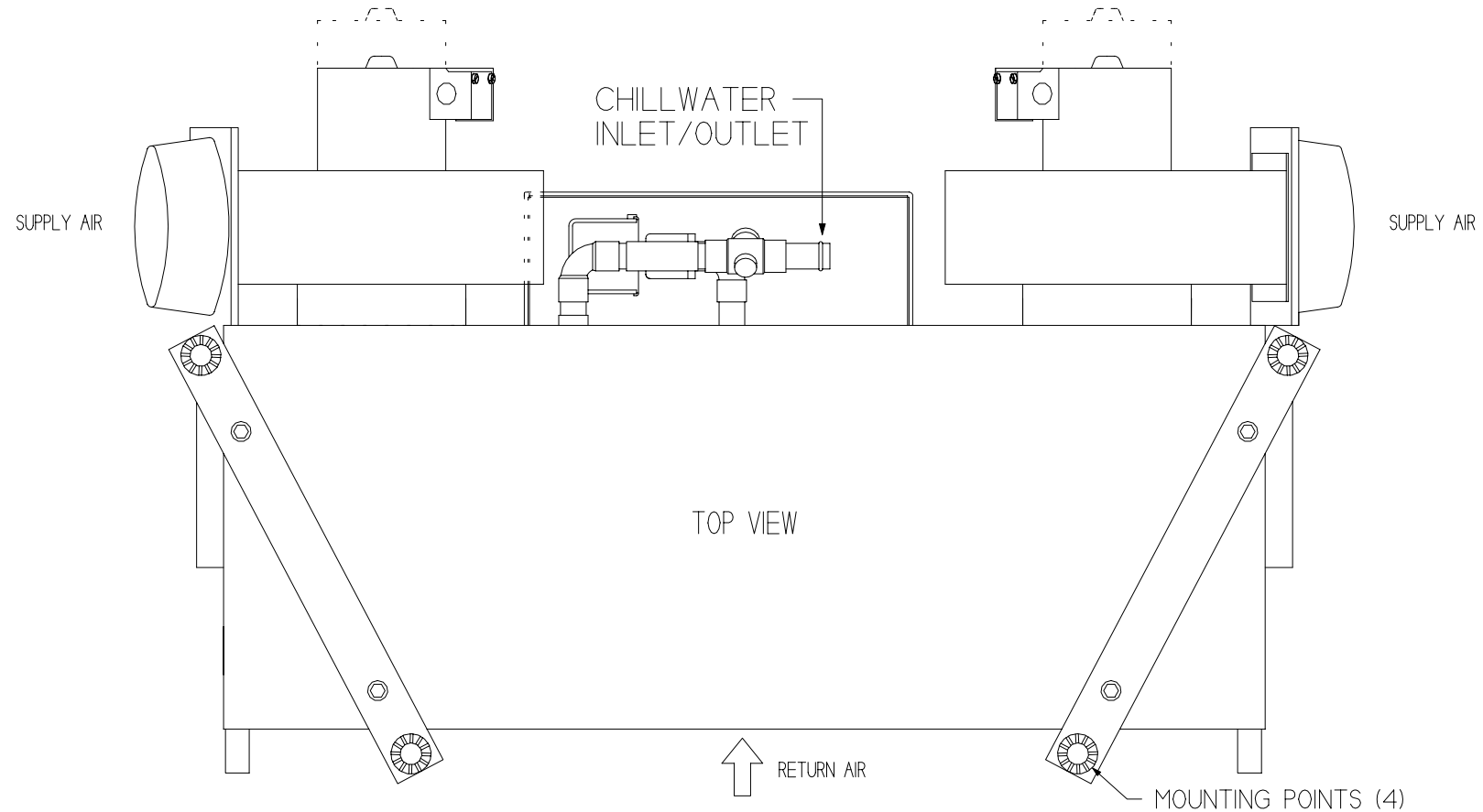
FRONT VIEW



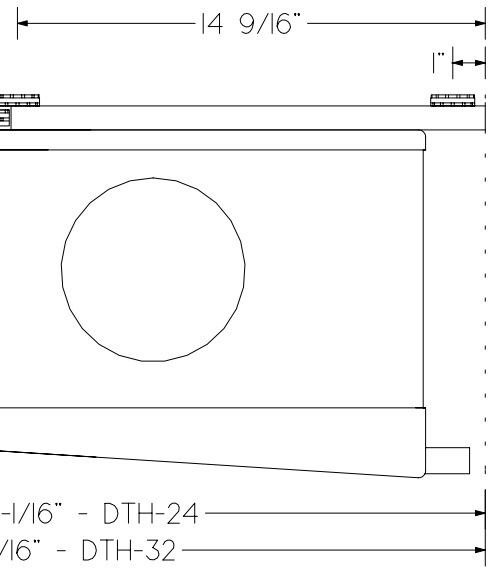
AQUA-AIR MARINE AIR CONDITIONING SYSTEMS

DTH SERIES FAN COIL
DRAW-THRU UNIT
BLOWERS MOUNTED ON SIDES OF FAN COIL

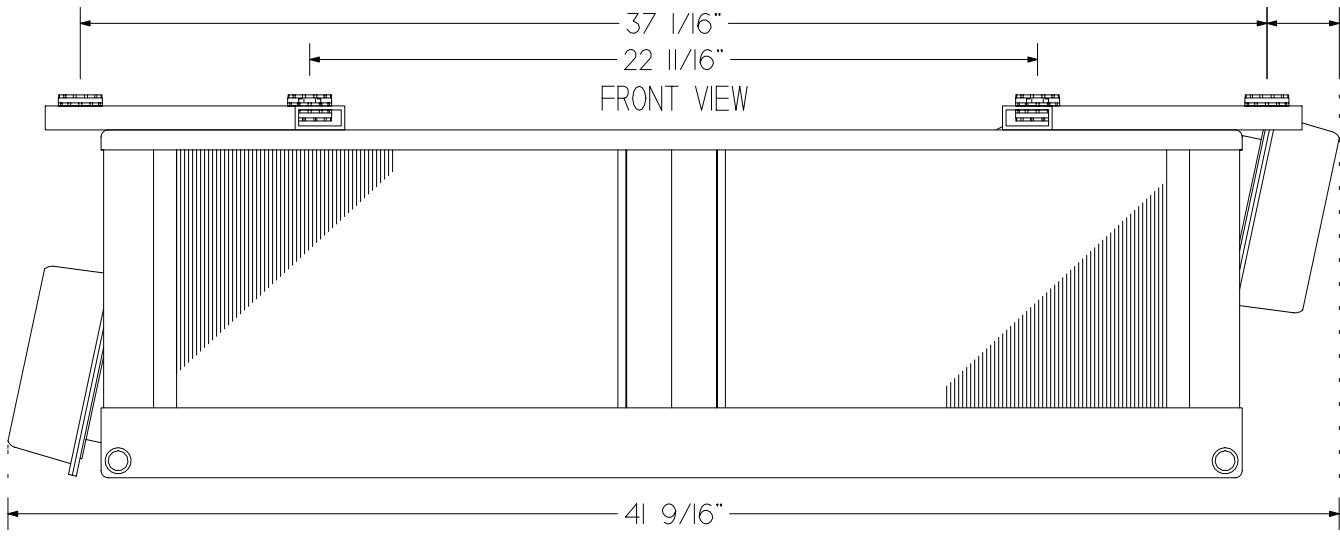
DRAWING NUMBER	DTH-S	DRAWN BY	DN	DATE	08-15-97
SCALE	FULL	APPROVED BY		REVISION DATE	
					REV A



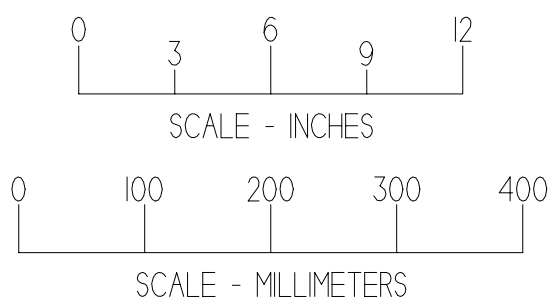
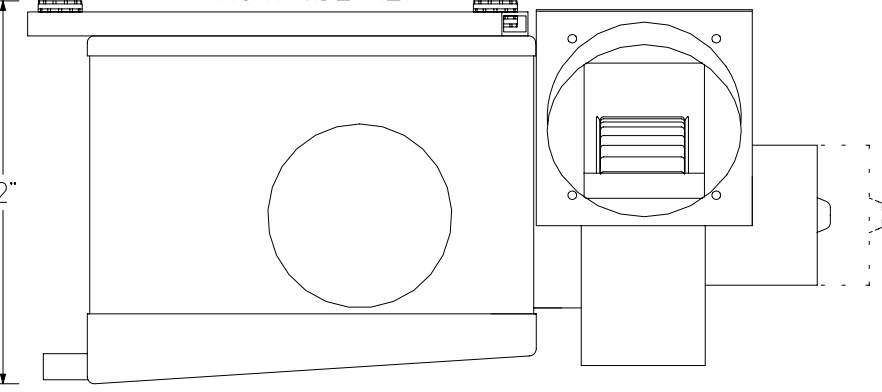
LEFT SIDE VIEW



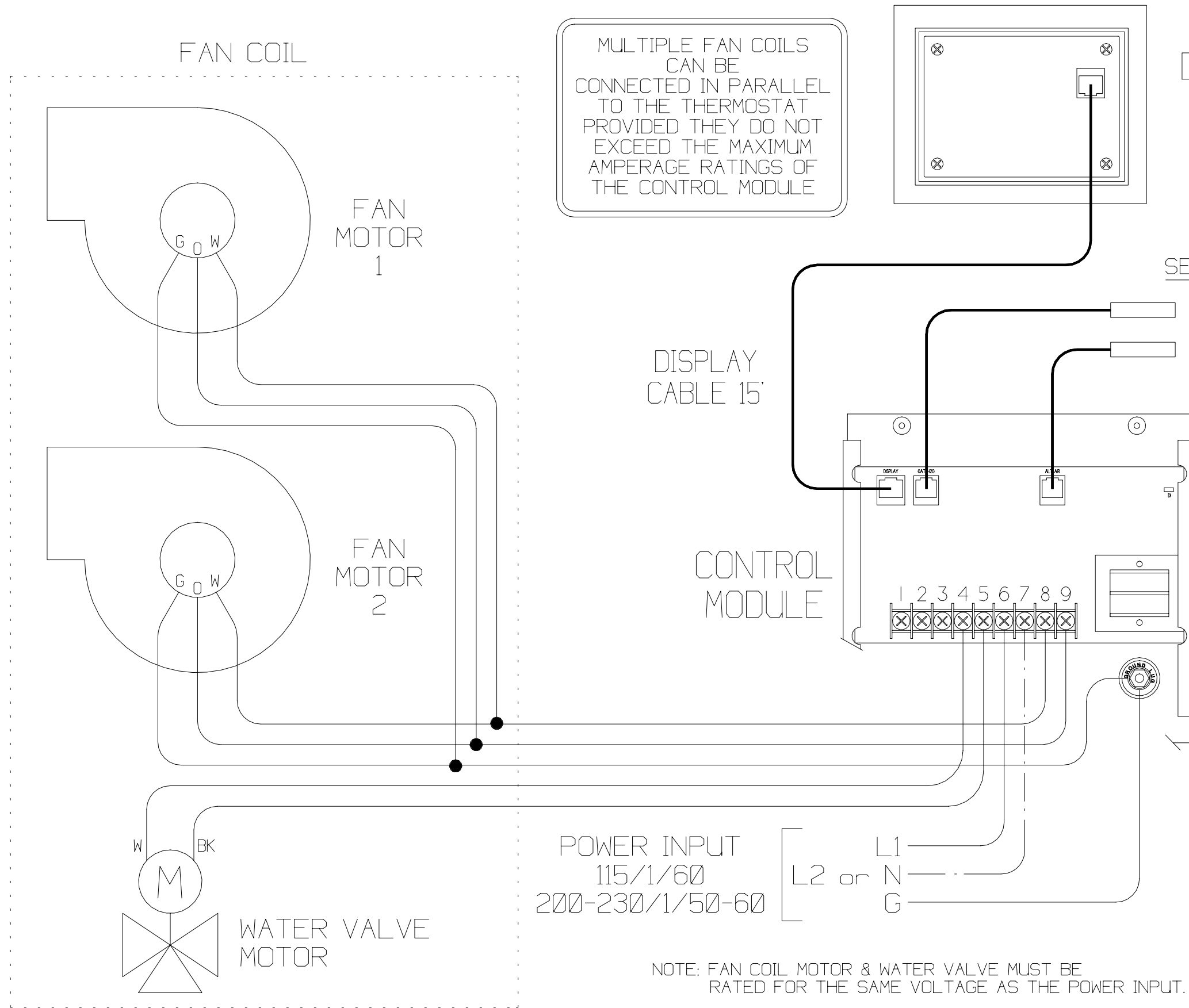
FRONT VIEW



RIGHT SIDE VIEW



AQUA-AIR MARINE AIR CONDITIONING SYSTEMS			
DTH SERIES FAN COIL DRAW-THRU UNIT BLOWERS MOUNTED ON REAR OF FAN COIL			
DRAWING NUMBER	DTH-R	DRAWN BY	DN
SCALE	NONE	DATE	08-15-97
APPROVED BY		REVISION DATE	REV A



MULTIPLE FAN COILS CAN BE CONNECTED IN PARALLEL TO THE THERMOSTAT PROVIDED THEY DO NOT EXCEED THE MAXIMUM AMPERAGE RATINGS OF THE CONTROL MODULE

INLET WATER SENSOR NOTE
ATTACH SENSOR TO THE WATER INLET LINE AT FAN COIL WATER VALVE

MAXIMUM CIRCUIT RATINGS
WATER VALVE 1/4A
FAN MOTOR 6A
HEATER 20A

TERMINAL BLOCK CONNECTIONS

1. HEATER ELEMENT L1
2. HEATER ELEMENT L2
3. N/A
4. WATER VALVE L2
5. WATER VALVE L1
6. POWER INPUT L1
7. POWER INPUT L2 or N
8. FAN L2
9. FAN L1

NOTE: ALL L2's ARE COMMON TO EACH OTHER

AQUA-AIR MARINE AIR CONDITIONING SYSTEMS			
TW2W DIGITAL THERMOSTAT w/ SINGLE DTH STYLE FAN COIL 115 or 230V COOLING ONLY or with HOT WATER HEAT			
DRAWING NUMBER	4008-38	DRAWN BY	DN
		DATE	2-25-98
SCALE	NONE	APPROVED BY	REVISION DATE
			REV A