

FEATURES

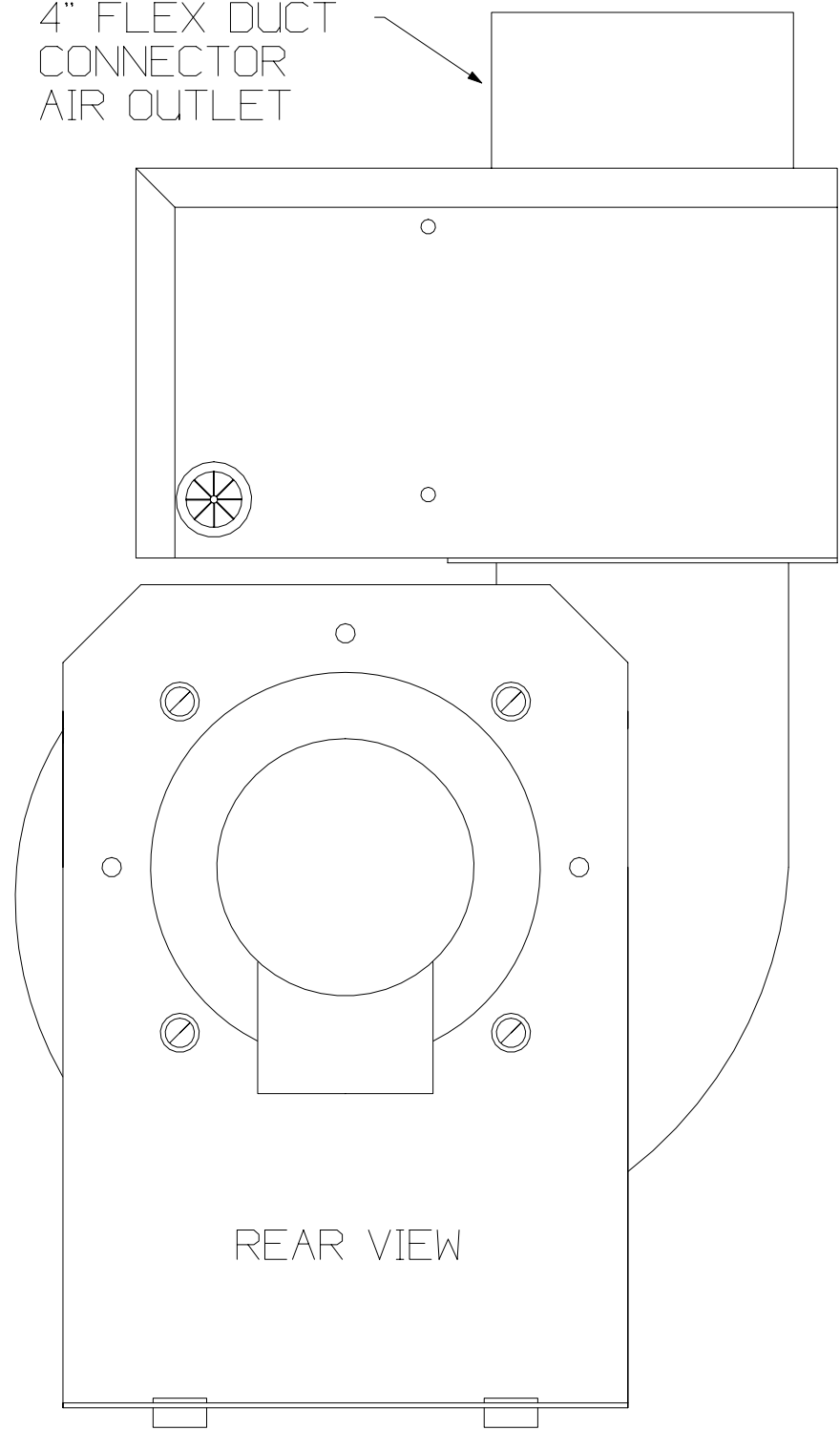
- ' Two models to choose from ranging in size from 250 to 500 CFM
- ' Rotatable blower for installation in virtually any location
- ' Unit can be operated in the fan only mode or the heating mode
- ' 1050 RPM motors for quiet operation
- ' Remote panel for control of operating mode and fan speed
- ' Round duct collar for ease in connecting to flex duct
- ' Rubber mounting feet to prevent vibration from transferring to the deck

SPECIFICATIONS	DF-250C	DF-500C
HEATING CAPACITY	3,415 BTU/H 861 KCAL/H	6,830 BTU/H 1,721 KCAL/H
AIR FLOW CAPACITY	250 CFM 425 M ³ H	500 CFM 850 M ³ H
WEIGHT	23 POUNDS 10.5 KGS	27 POUNDS 12.3 KGS
CURRENT DRAW , AMPS @ 230-1-60	5.3	10.2
POWER CONSUMPTION	1,127	2,460
MINIMUM RETURN AIR	64 IN ² 413 CM ²	144 IN ² 929 CM ²
MINIMUM SUPPLY AIR	25 IN ² 161 CM ²	72 IN ² 464 CM ²
FLEX DUCT COLLAR	4" 100mm	6" 150mm
STANDARD HEATER SIZE, kW	1.0	2.0

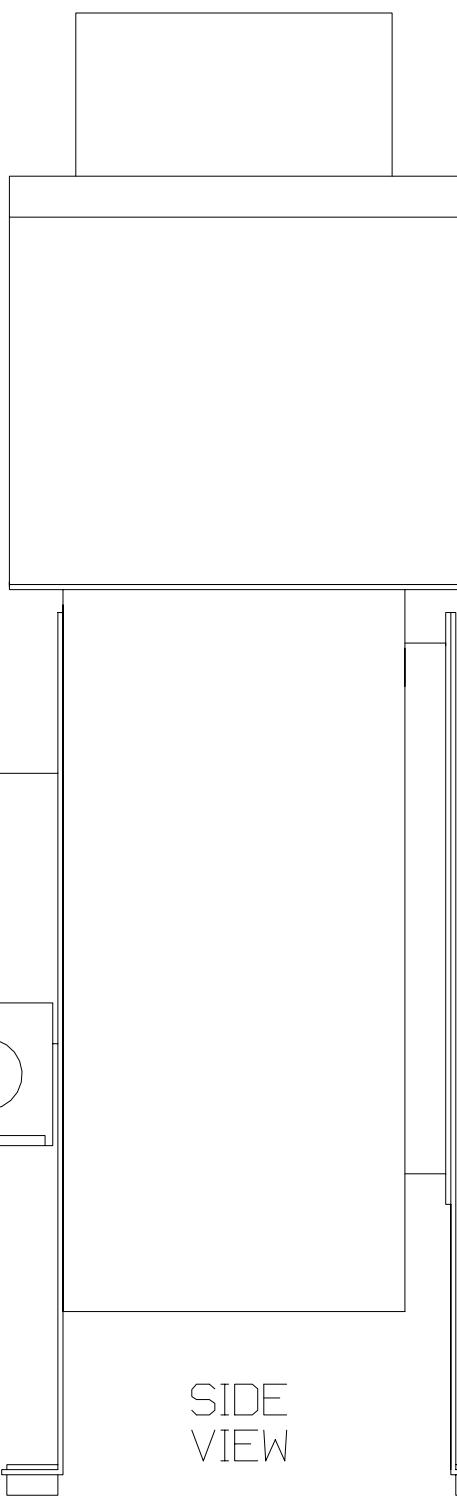
I:\wordpfct\80950.wpd

AQUA-AIR MANUFACTURING, division of the James D. Nall Co., Inc.
1050 East 9th Street, Hialeah, Florida 33010 U.S.A.
Ph. 305-884-8363 Fax 305-883-8549

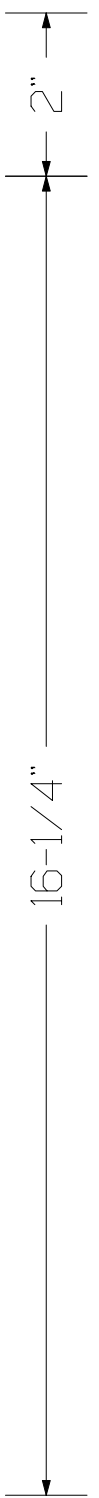
4" FLEX DUCT
CONNECTOR
AIR OUTLET



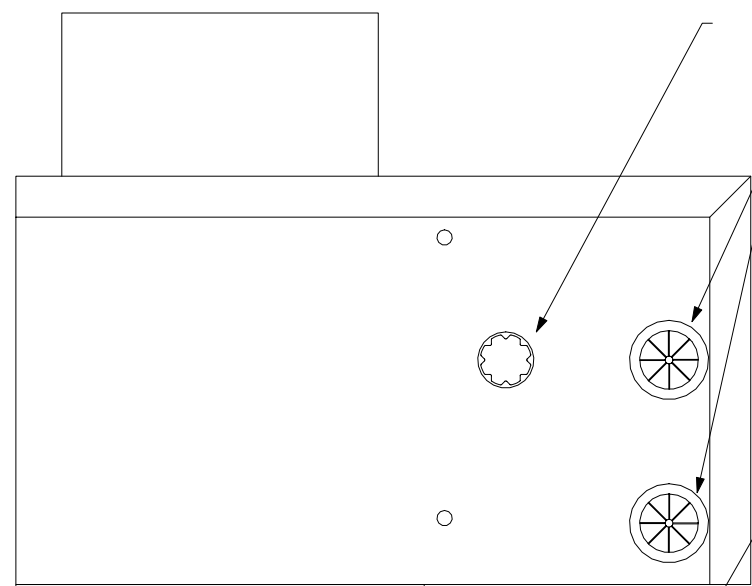
10-5/8"



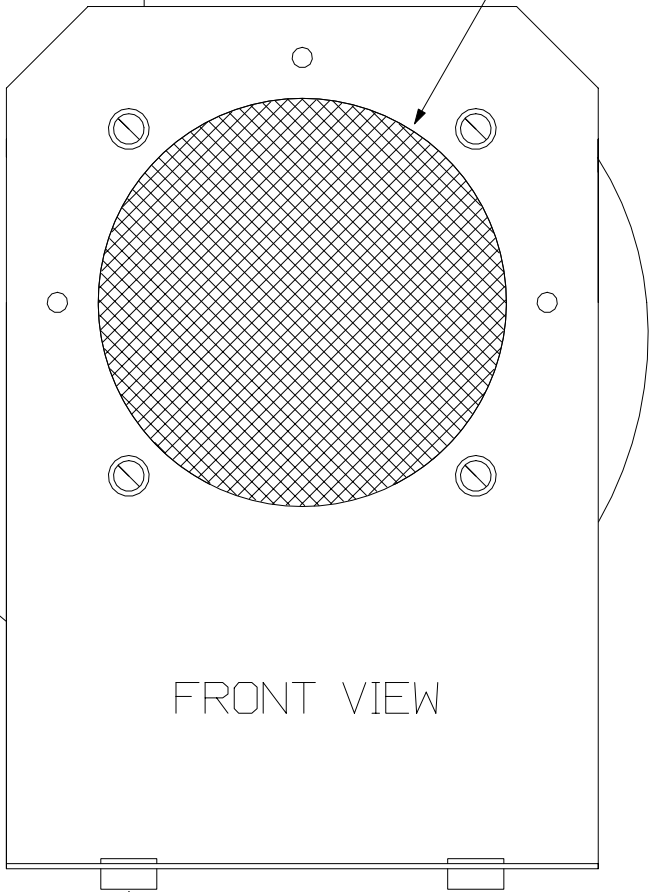
8-7/8"



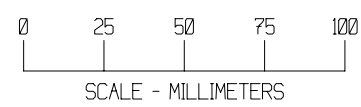
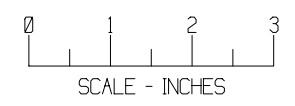
CONTROL CIRCUIT
FUSE
WIRING ACCESS



AIR INLET



VIBRATION MOUNTS (4)

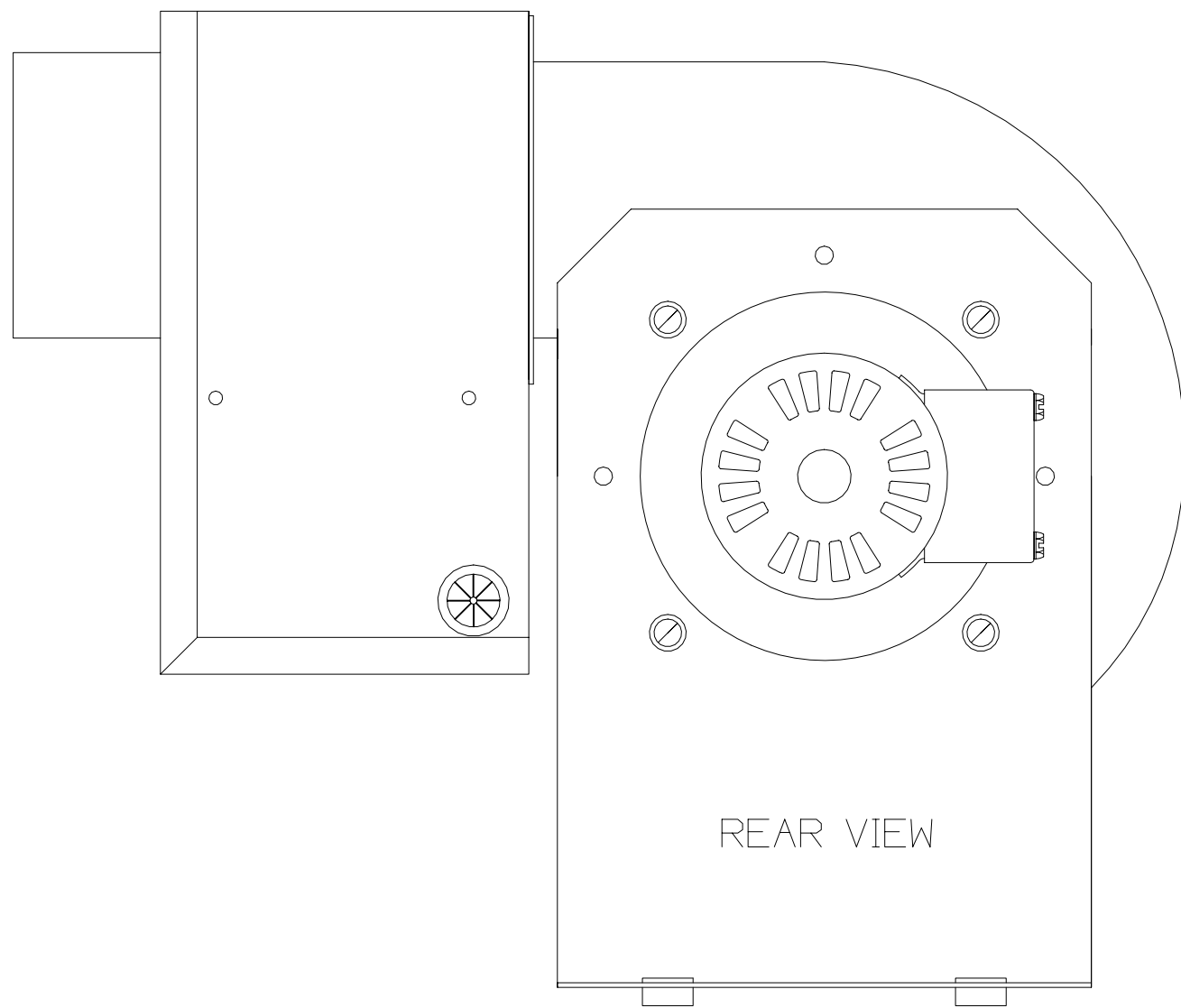


BLOWER IS ROTATABLE

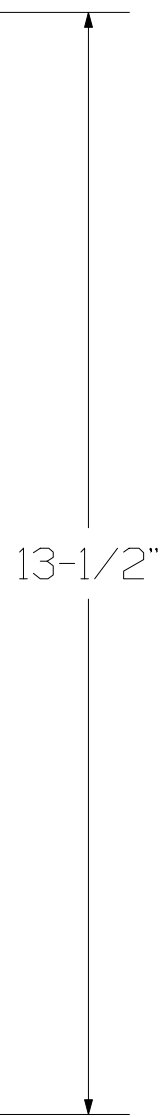
AQUA-AIR MARINE AIR CONDITIONING SYSTEMS

DF-250 DEFOGGER UNIT

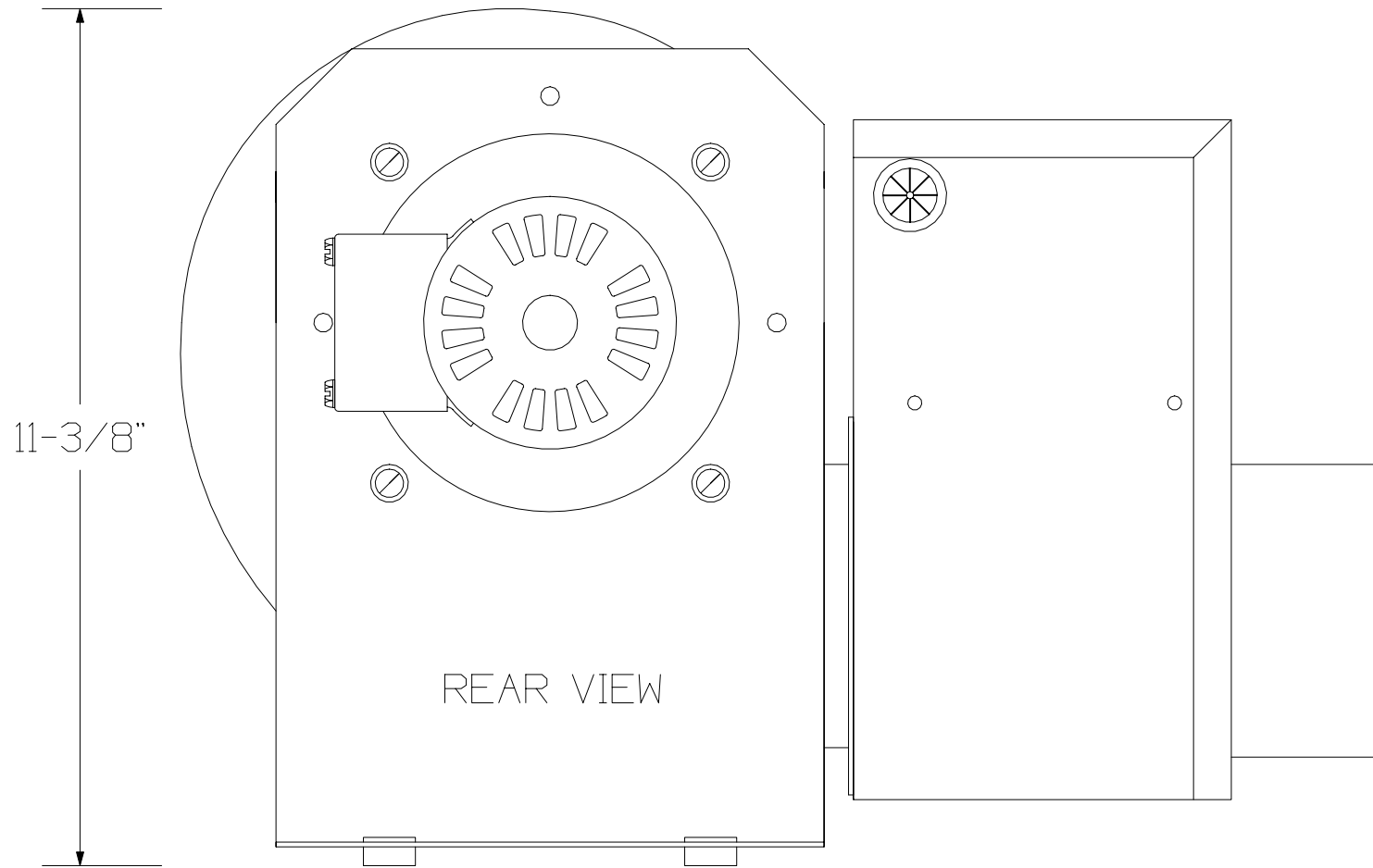
DRAWING NUMBER	DF-250	DRAWN BY	DN	DATE	1-95
APPROVED BY		REVISION DATE		REV	A



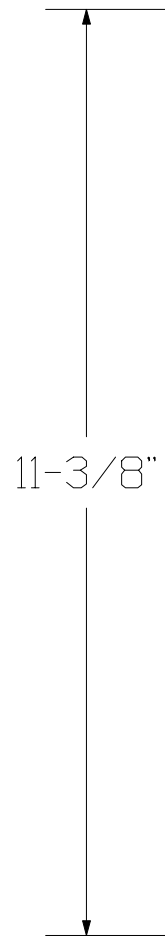
REAR VIEW



13-1/2"



REAR VIEW

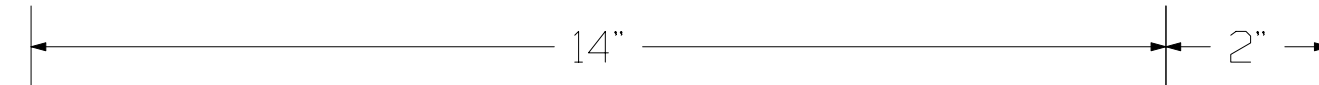


11-3/8"



2"

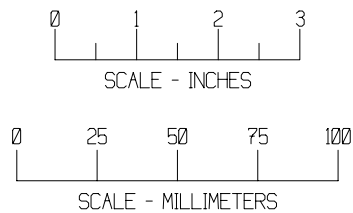
14"



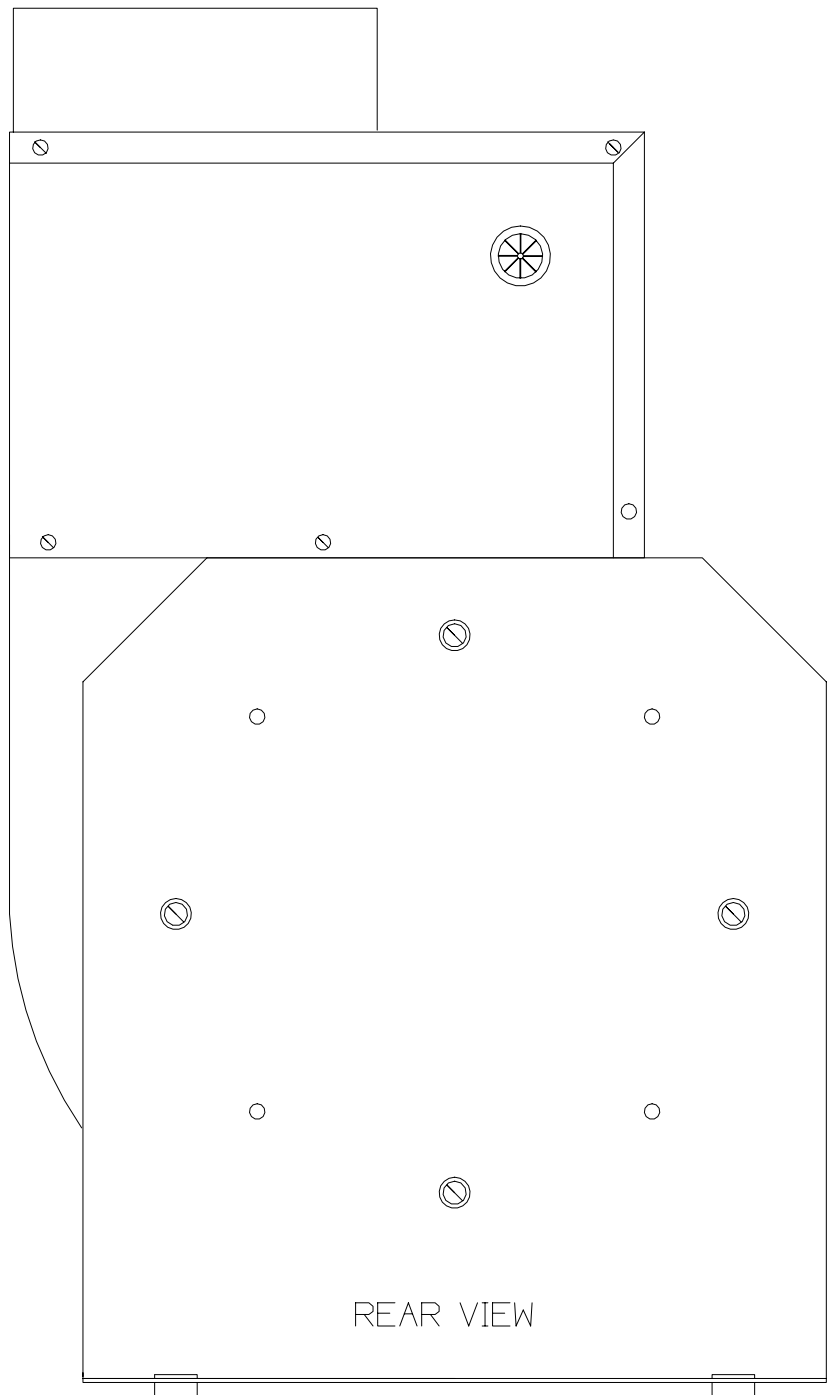
14"

2"

BLOWER IS ROTATABLE

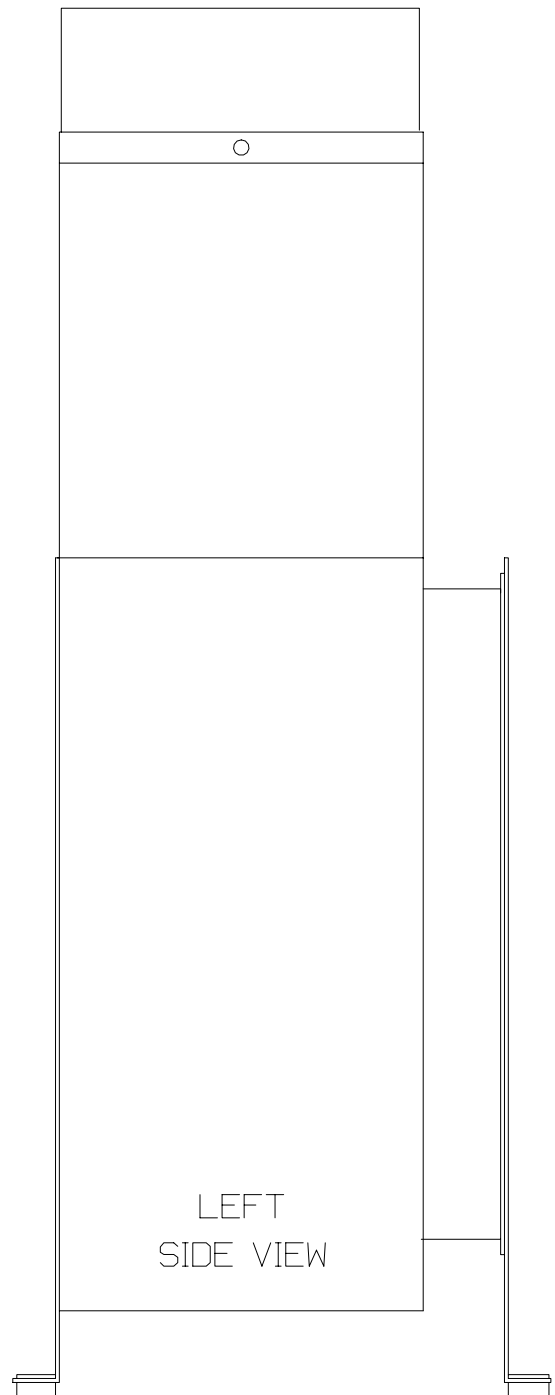


AQUA-AIR		MARINE AIR CONDITIONING SYSTEMS	
DF-250 DEFOGGER UNIT ROTATION OPTIONS			
DRAWING NUMBER	DF-250	DRAWN BY	DN
		DATE	1-95
APPROVED BY		REVISION DATE	
			REV A



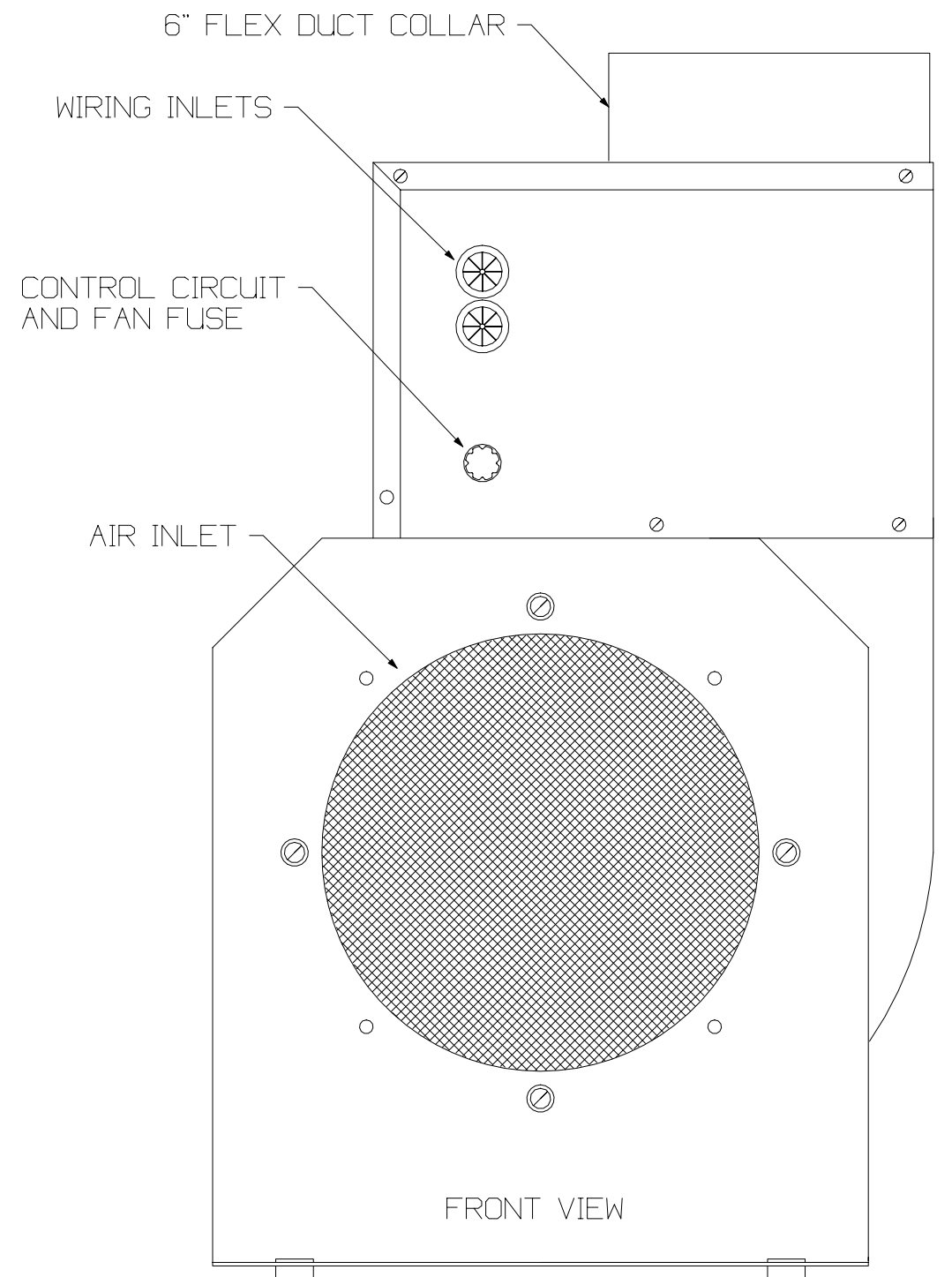
REAR VIEW

2"
20-1/2"



LEFT
SIDE VIEW

8-3/4"

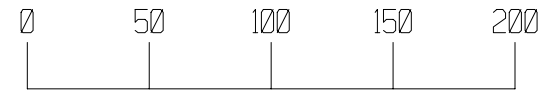


FRONT VIEW

13-1/4"



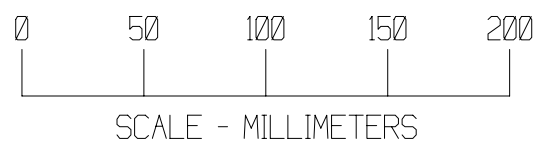
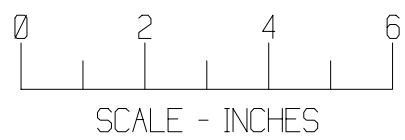
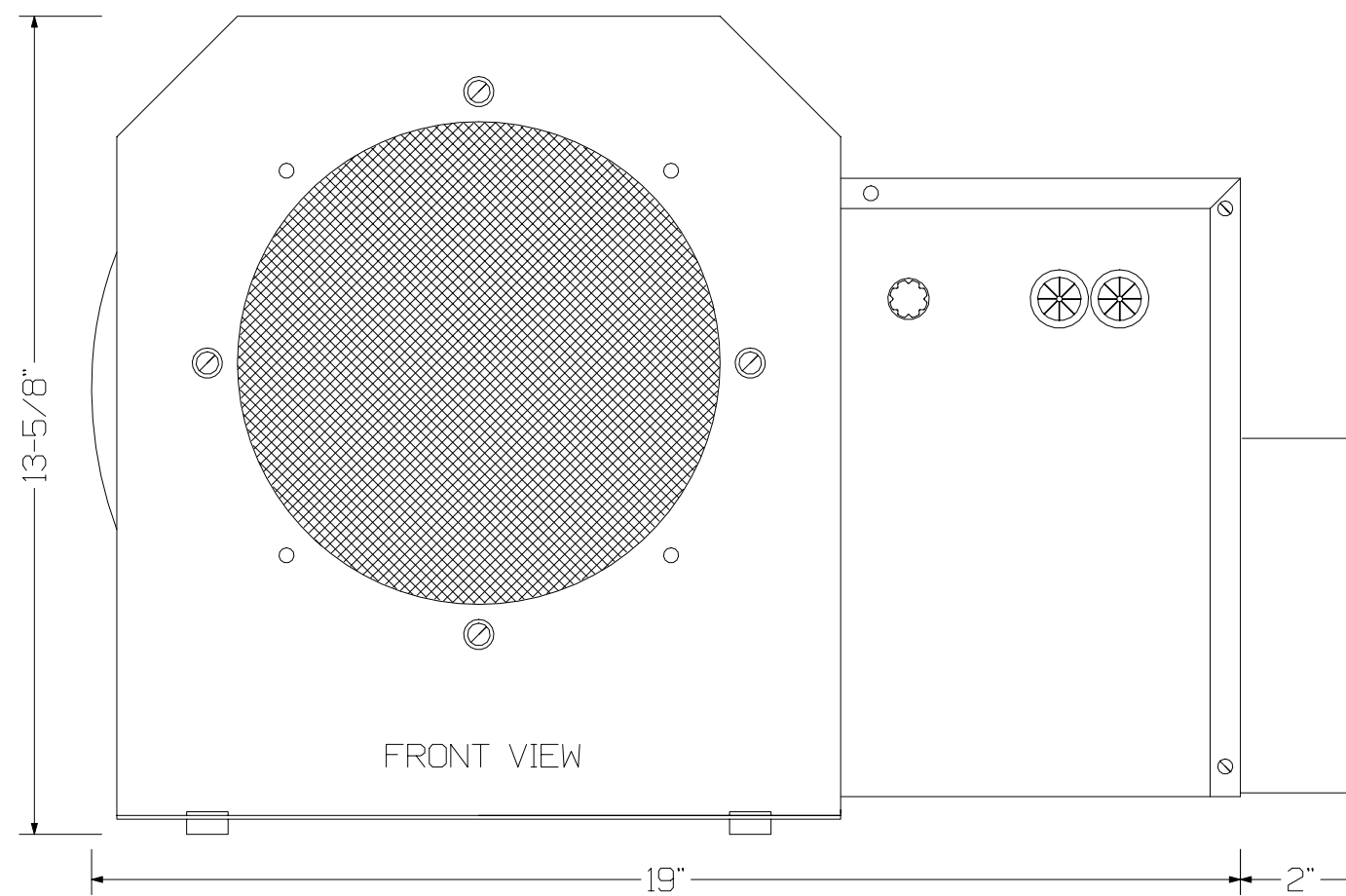
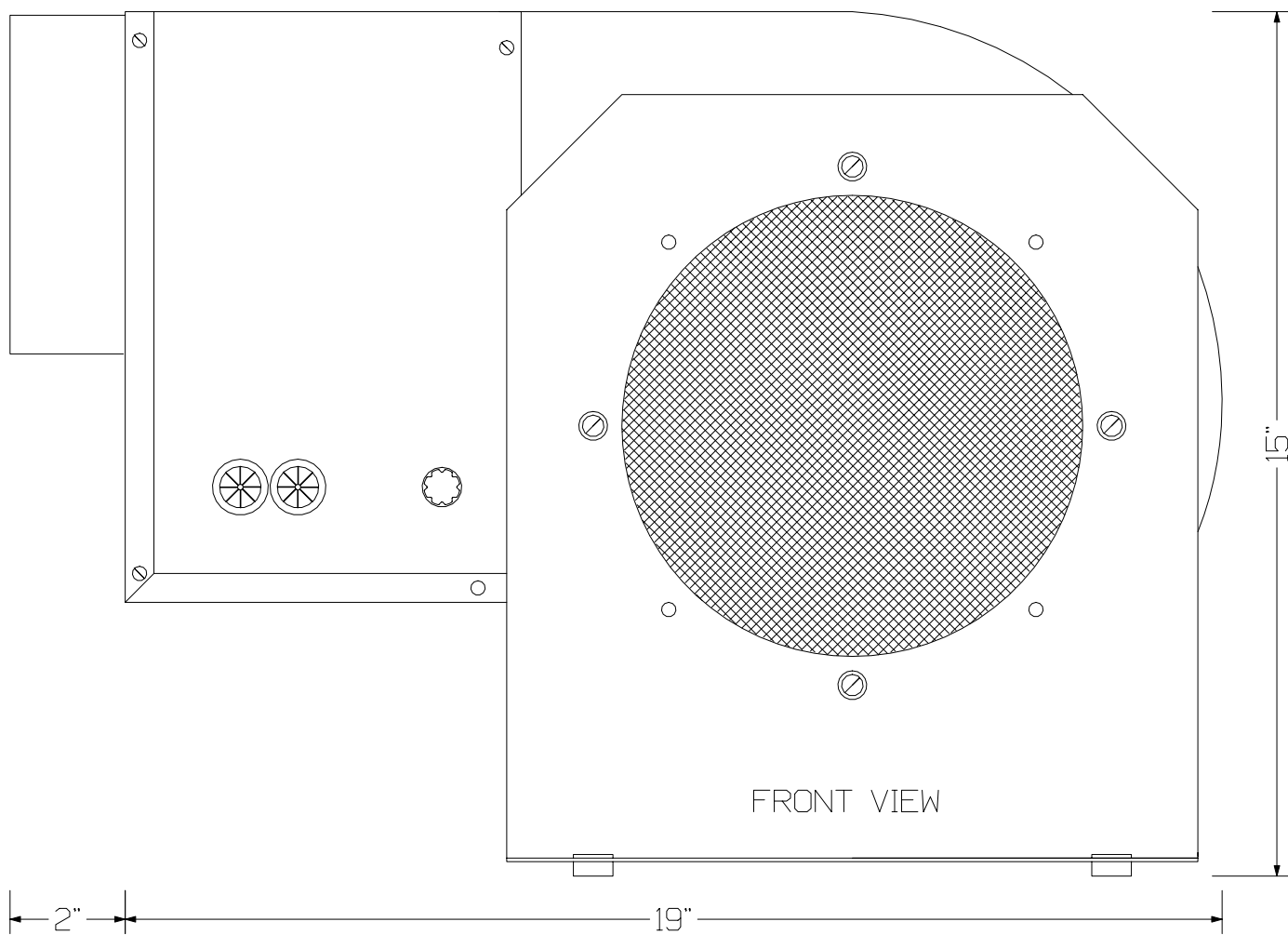
SCALE - INCHES



SCALE - MILLIMETERS

BLOWER IS
ROTATABLE

AQUA-AIR MARINE AIR CONDITIONING SYSTEMS			
DF-500 DEFOGGER UNIT			
DRAWING NUMBER	DF-500	DRAWN BY	DN
SCALE	NONE	DATE	1-95
APPROVED BY		REVISION DATE	
			REV A

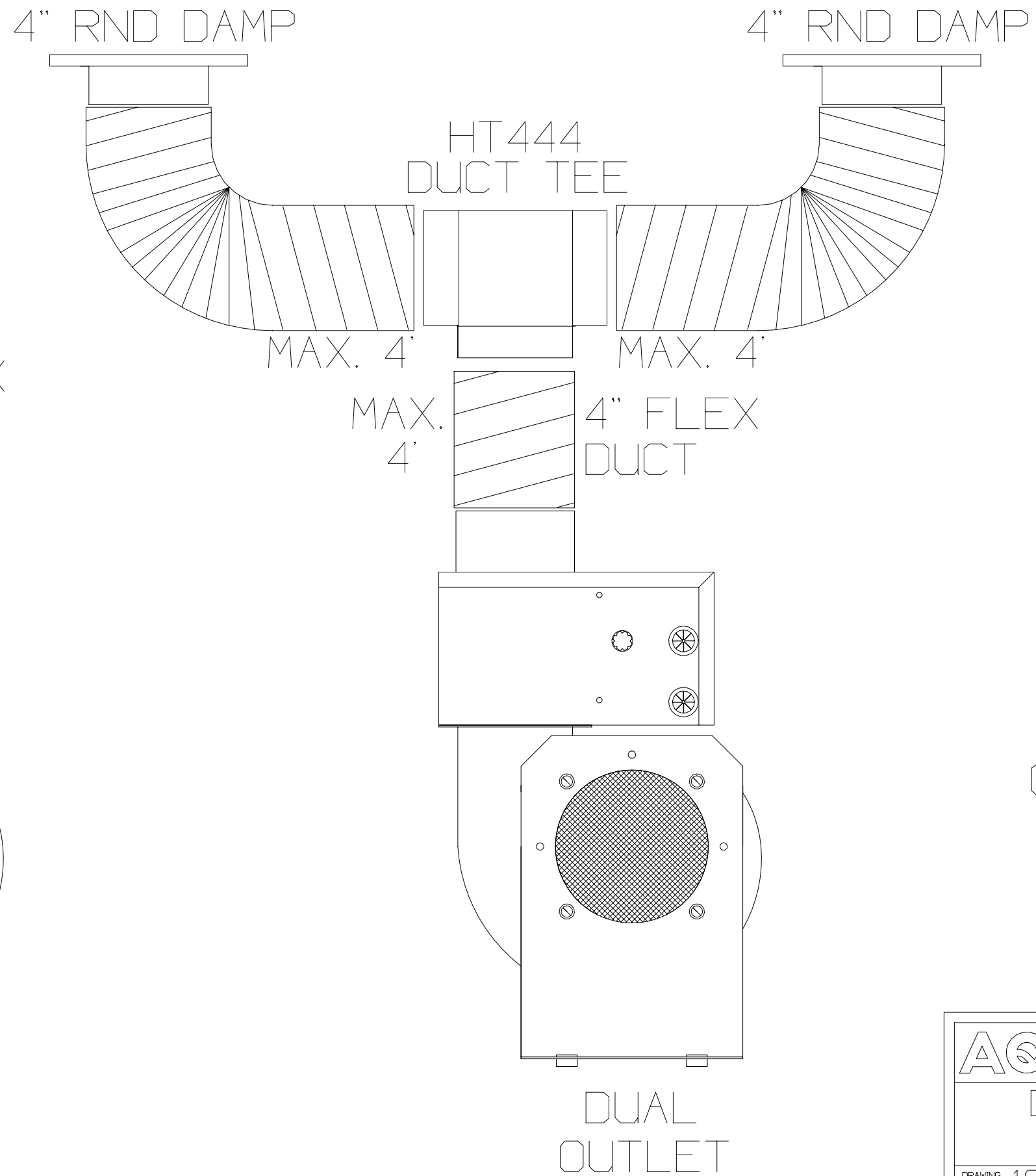
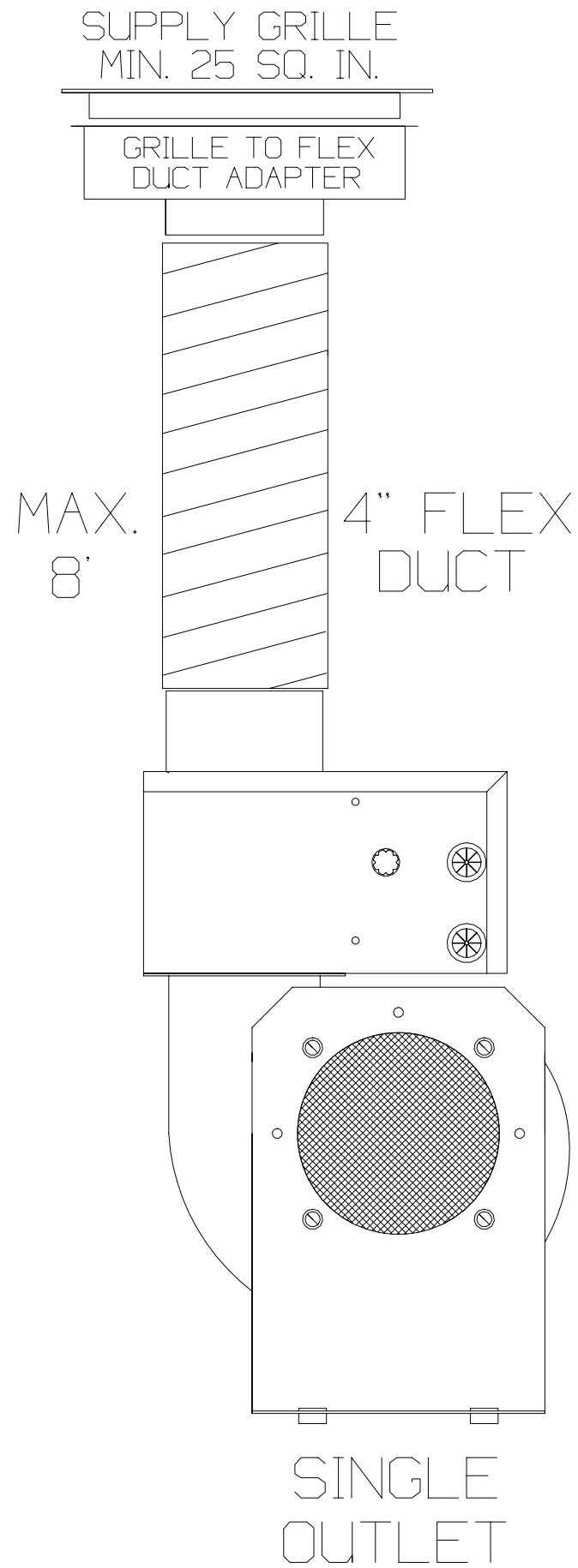


BLOWER IS
ROTATABLE

AQUA-AIR MARINE AIR CONDITIONING
SYSTEMS

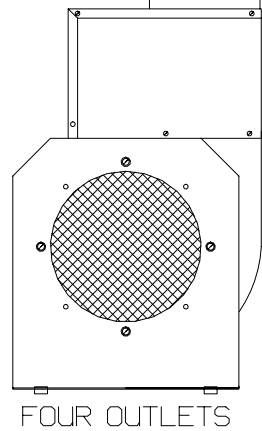
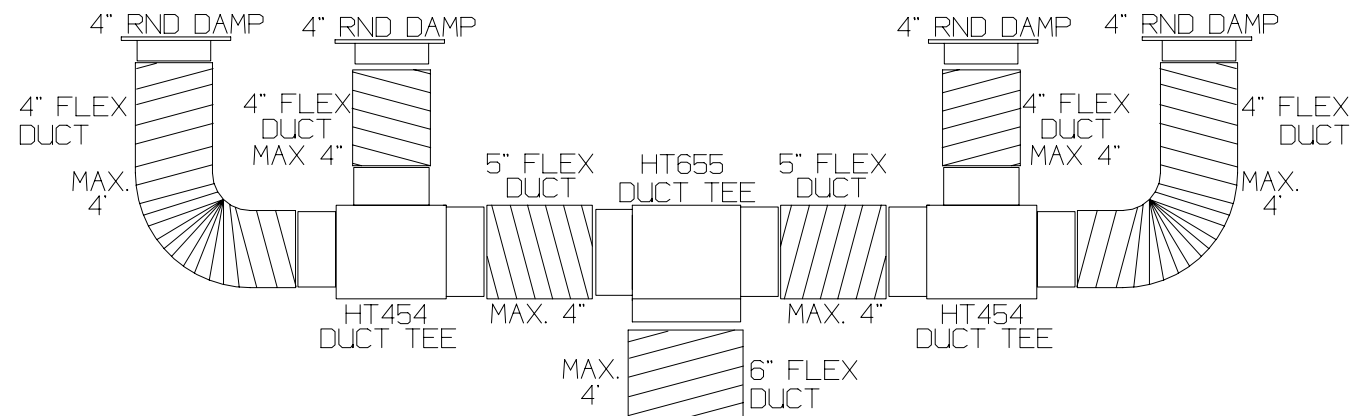
DF-500 DEFOGGER UNIT
ROTATION OPTIONS

DRAWING NUMBER	DF-500	DRAWN BY	DN	DATE	1-95
SCALE	NONE	APPROVED BY		REVISION DATE	
					REV A



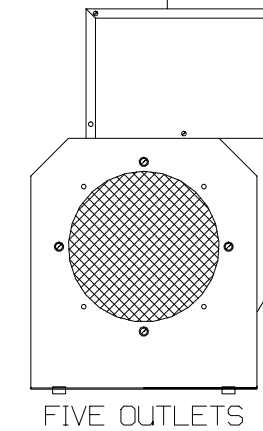
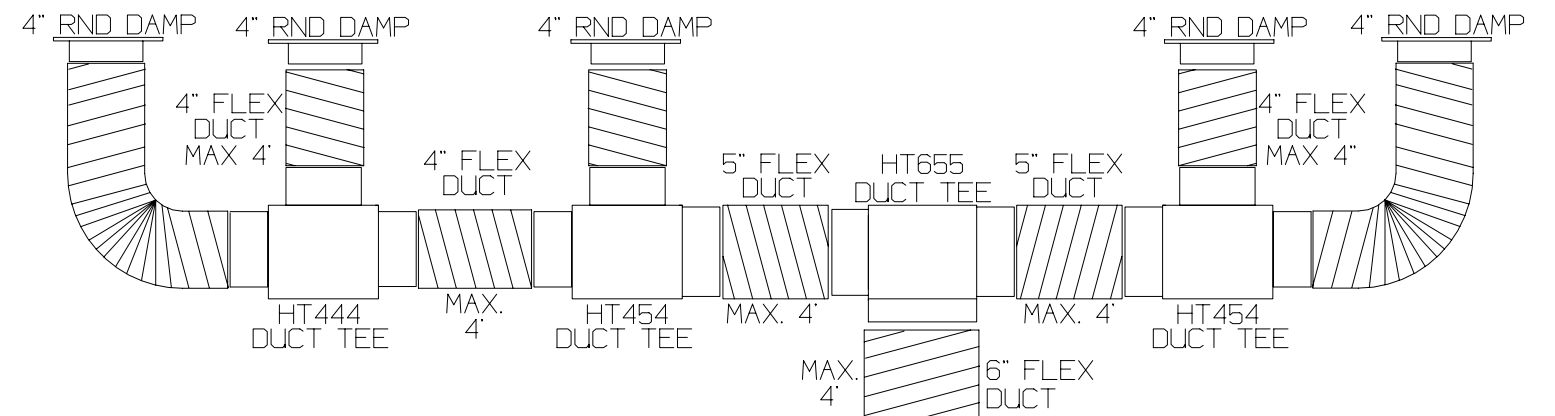
RETURN AIR
GRILLE REQUIRED
MIN. 64 SQ. IN.

AQUA-AIR		MARINE AIR CONDITIONING SYSTEMS	
DF-250 SERIES DEFOGGER UNIT APPLICATIONS			
DRAWING NUMBER	1012-16	DRAWN BY	DN
		DATE	10-14-91
SCALE	NONE	APPROVED BY	REVISION DATE
			REV A

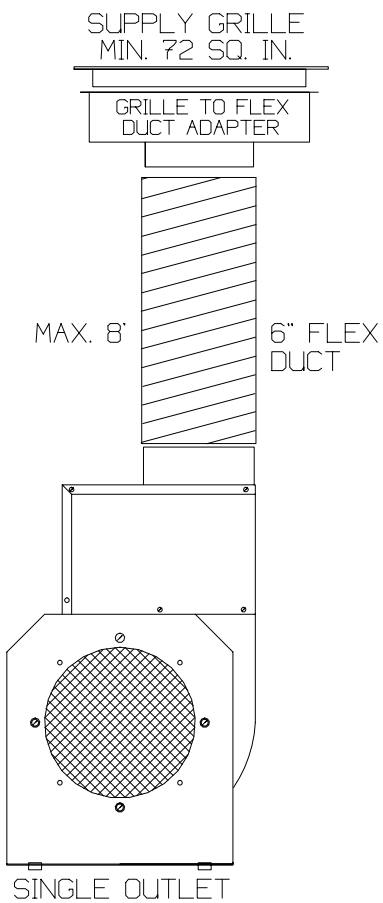


FOUR OUTLETS

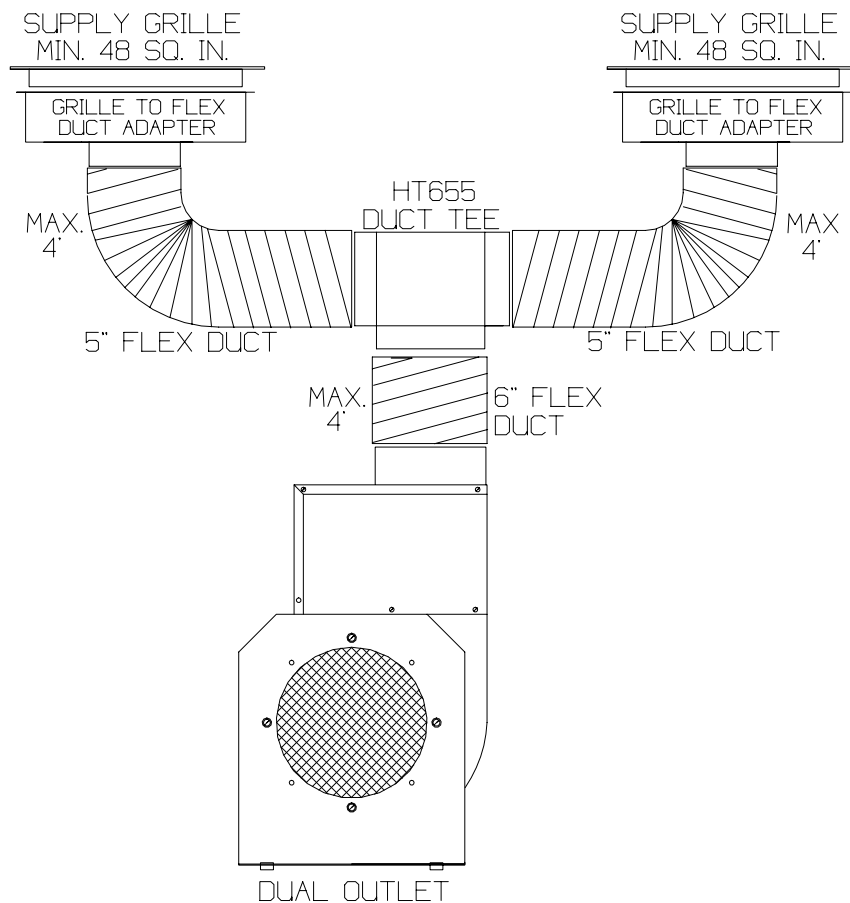
MINIMUM RETURN AIR GRILLE AREA IS 144 SQ. IN.



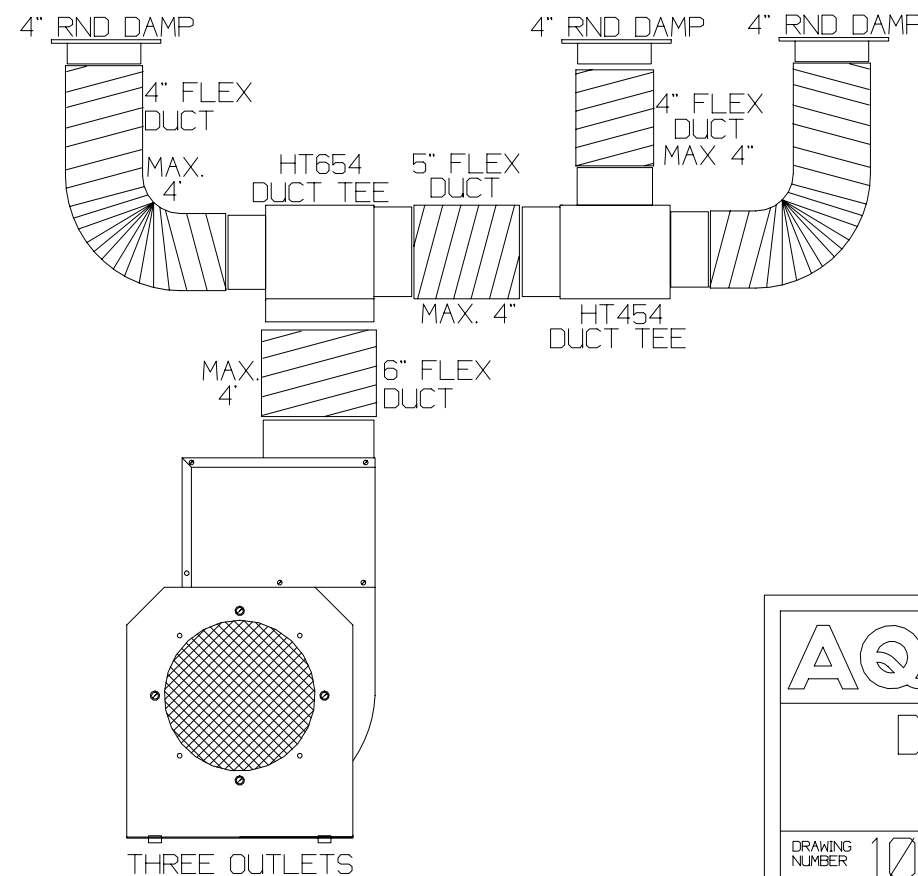
FIVE OUTLETS



SINGLE OUTLET



DUAL OUTLET



THREE OUTLETS

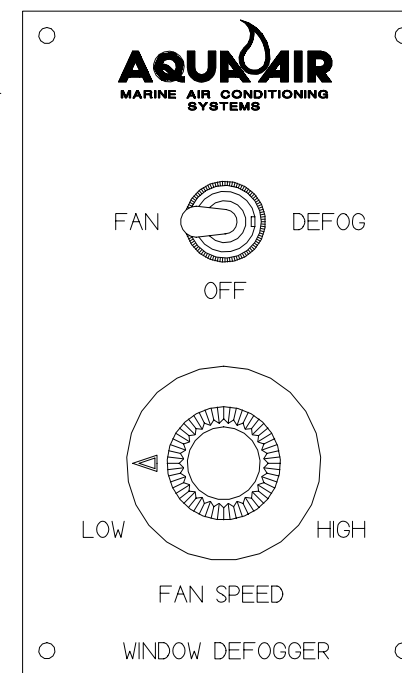
AQUA-AIR MARINE AIR CONDITIONING SYSTEMS			
DF-500 SERIES DEFOGGER UNIT APPLICATIONS			
DRAWING NUMBER	1012-17	DRAWN BY	DN
SCALE	NONE	DATE	10-15-91
APPROVED BY		REVISION DATE	
			REV B

DF SERIES ELECTRICAL JUNCTION BOX



DFSW CONTROL SWITCH

DFSW 115V
DFSWC 230V



POWER INPUT

GROUND
L1
L2 or N

BLUE
ORANGE
BLACK
GREEN

16ga WIRE (4)

VOLTAGE WIRE SIZE

DF250	115V	14ga
DF250C	230V	14ga
DF500	115V	10ga
DF500C	230V	14ga

AQUA-AIR MARINE AIR CONDITIONING SYSTEMS

DF SERIES DEFOGGER UNIT
EXTERNAL WIRING TO DFSW(C) SWITCH
115 or 230V

DRAWING NUMBER 4005-02A DRAWN BY DN DATE 10-14-91

SCALE NONE APPROVED BY REVISION DATE REV A