

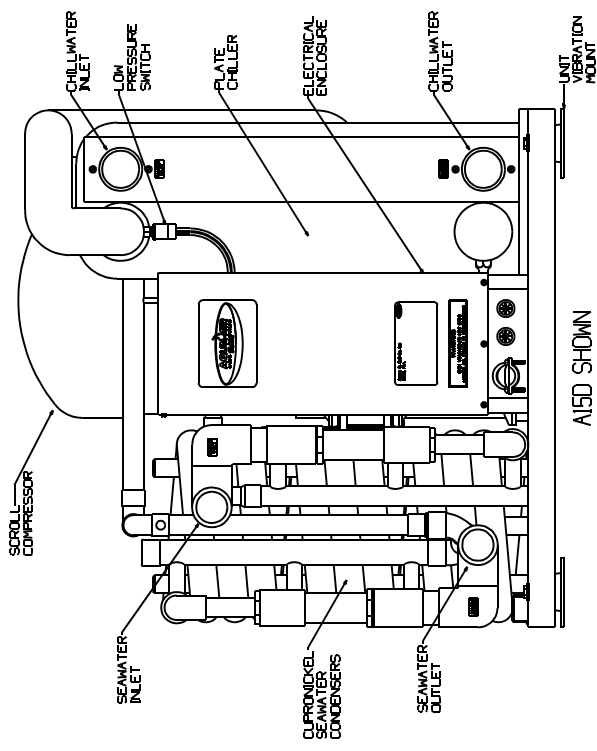
## Features

- < High Efficiency Scroll Compressors
- < Stainless steel, copper brazed plate heat exchangers
- < Multi-circuit cupronickel heat exchanger
- < Compact design
- < Full perimeter steel frame
- < Low and high refrigerant pressure access ports
- < Low and high refrigerant pressure safety switches
- < Unit mounted electrical component enclosure
- < All units are precharged and fully run tested
- < Solid state digital temperature controllers
- < Available in 208/230-3-60, 460-3-60, 220-3-50 and 380/415-3-50

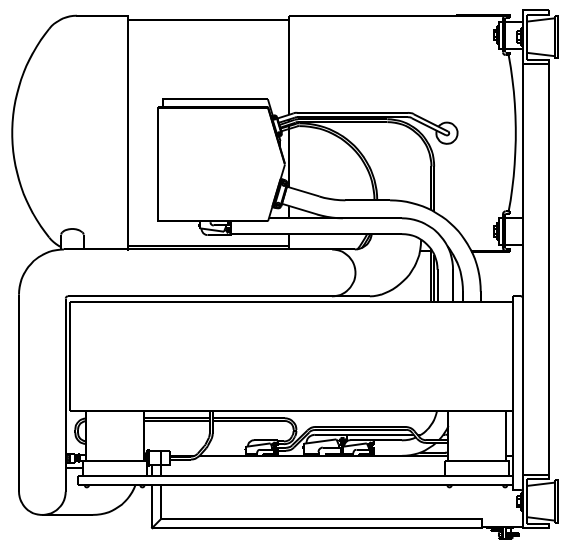
		A10D		A10E		A15D		A15E	
Capacity	BTU/H	120,000	96,000	120,000	96,000	180,000	149,400	180,000	149,400
	Kcal/H	30,000	24,900	30,000	24,900	45,000	37,350	45,000	37,350
Nominal Tons		10	8.3	10	8.3	15	12.5	15	12.5
Length	inches	29.00							
	mm	737							
Width	inches	29.00							
	mm	737							
Height	inches	26.00				31.00			
	mm	660				781			
Weight	lbs	376				570			
	kg	171				259			
Power Supply		208-3-60	220-3-50	460-3-60	380-3-50	208-3-60	220-3-50	460-3-60	380-3-50
Amp Draw		27.0	26.6	13.5	13.3	40.5	40.0	20.2	20.0
Power	kW	9.1	7.8	9.1	7.8	13.8	11.8	13.8	11.8
Minimum Chillwater Flow Rate	GPM	24	20	24	20	36	30	36	30
	LPM	91	76	91	76	137	114	137	114
Chillwater Inlet/Outlet	FPT	2"							
Minimum Seawater Flow Rate	GPM	40	33	40	33	60	50	60	50
	LPM	152	125	152	125	228	190	228	190
Seawater Inlet/Outlet	FPT	1-1/4"				1-1/2"			

i:\wordpct\80965.wpd

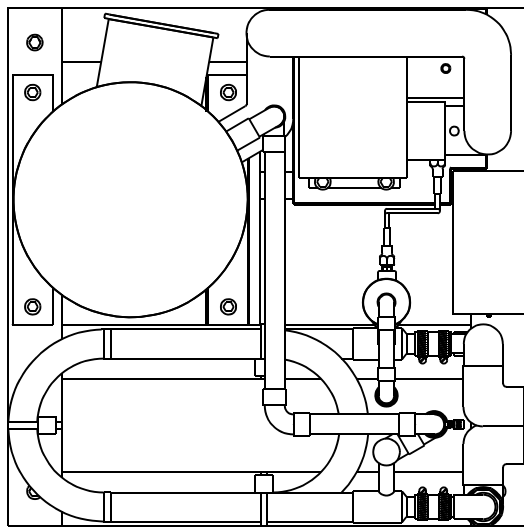
**AQUA-AIR MANUFACTURING, division of the James D. Nall Co., Inc.**  
**1050 East 9th Street, Hialeah, Florida 33010 U.S.A.**  
**Ph. 305-884-8363 Fax 305-883-8549 Email sales@aquair.com**



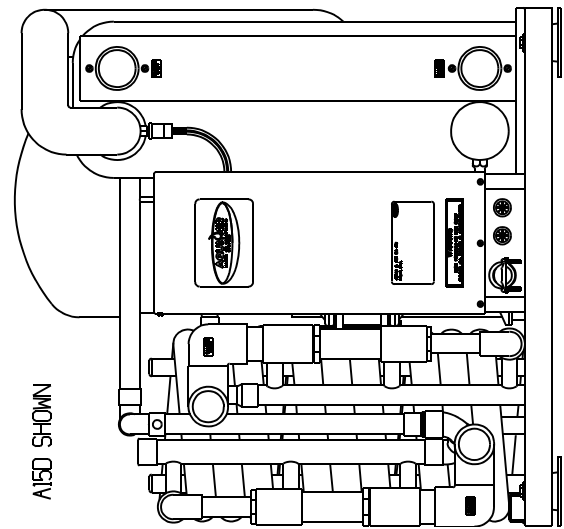
A15D SHOWN



RIGHT VIEW



A15D SHOWN



FRONT VIEW

