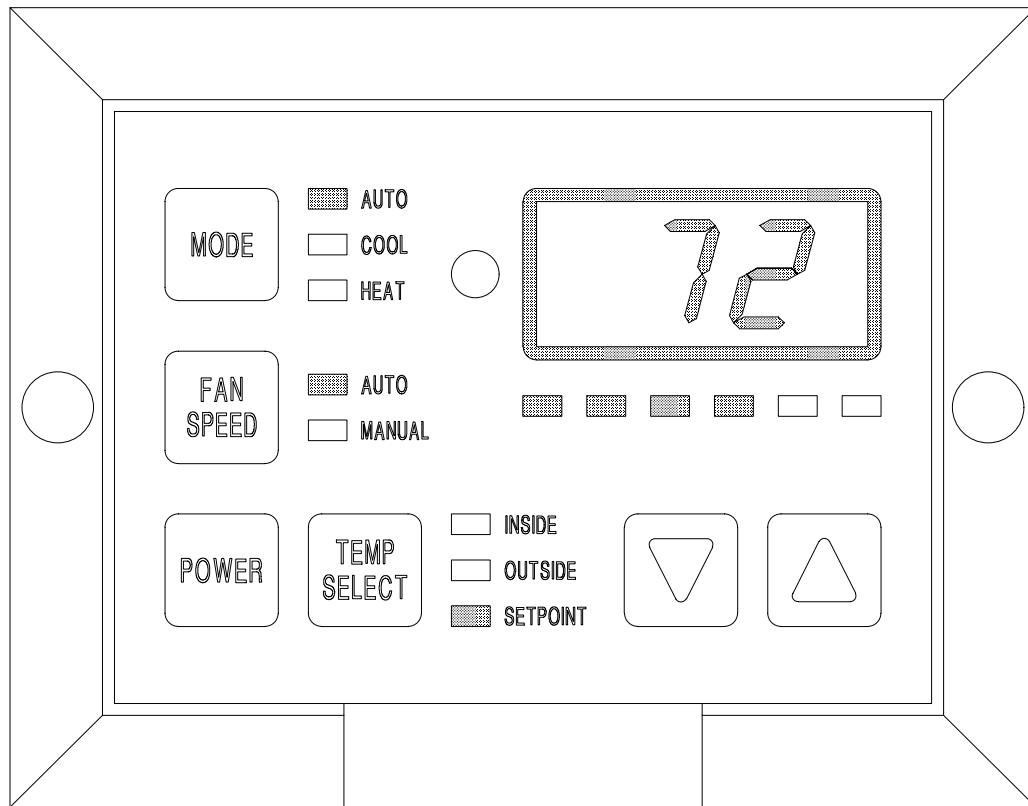
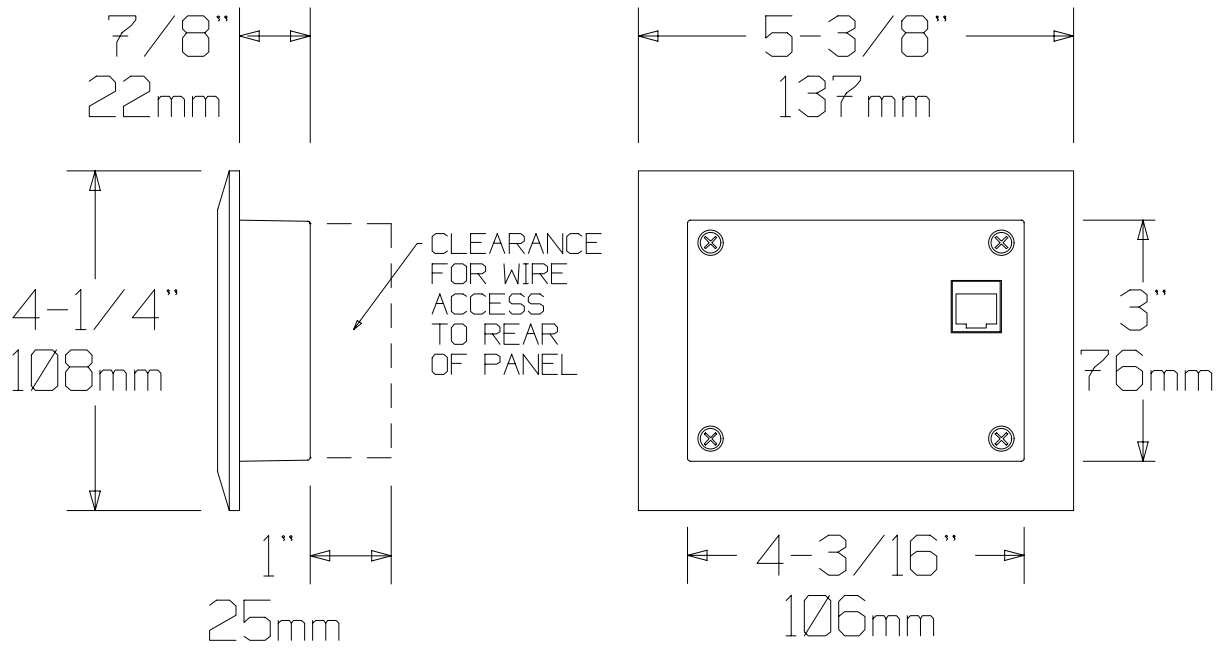


The TW2-01B (Black) and TW2-01W (White) display heads are available for use with any version of the TW2 Series digital thermostats. This includes both direct expansion and chillwater versions. It will also work in conjunction with the direct expansion condensing unit series KHT and KHTL and the AQSC-07 thru 24HT(C) self contained unit series.

The advantage of this display head over the standard TW2-01 display with the cover is that it is equipped with a room temperature sensor on the bottom of the display panel. This eliminates the need to use a separate room air sensor.



SHOWN AT FULL SIZE



DISPLAY HEAD SIDE & REAR VIEW

80998-BW.GCD

