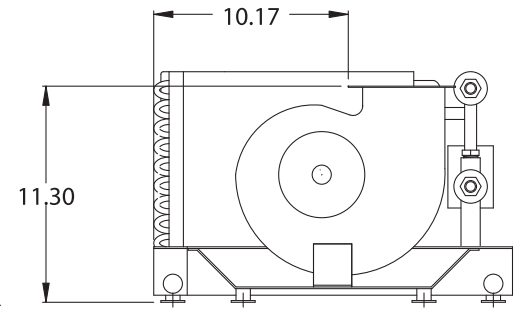
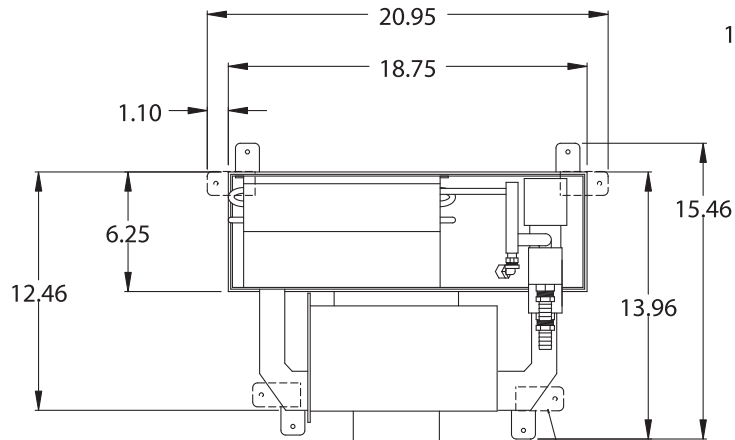
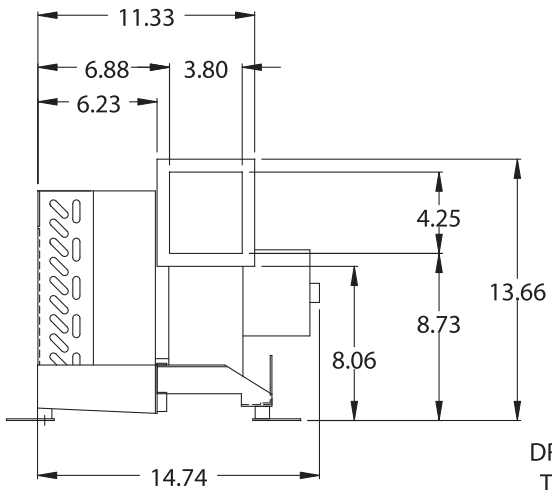


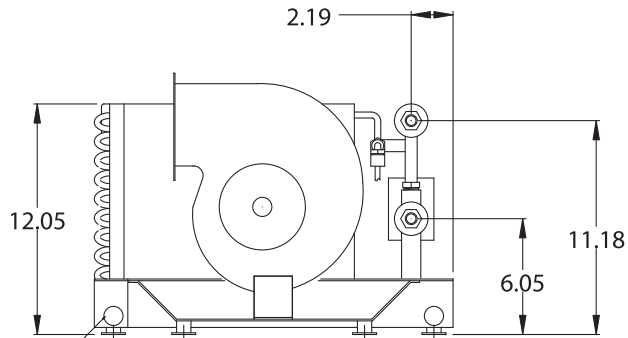
REMOTE ELEC. BOX
W/6' HARNESS



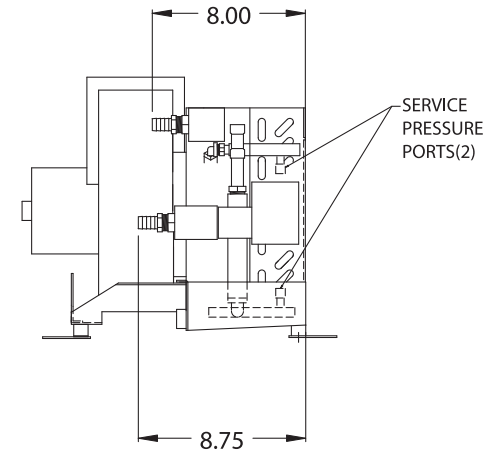
SHOWN WITH BLOWER
ROTATED 90°



DRAIN
TYP 2
1/2" NPT



ALL DIMENSIONS ±0.25"



WEIGHT = 25.7 LBS.

DWG CREATED BY CAD447-04

| REV | DATE | REVISION DESCRIPTION | DWG | APR | Dometic Corporation | | | | | |
|-----|---------|---|-----|-----|------------------------------|-------------|--------------|-----|-----------------|--------------|
| A | 8/18/04 | ADDED BLOWER HEIGHT DIM IN ROTATED VIEW,CAD574-04 | DRR | JES | AT12F AIR HANDLER | | | | | |
| B | 1/27/05 | REMOVED MARINE AIR & PRELIMINARY NOTE,CAD082-05 | DRR | JES | | | | | | |
| | | | | | DATE: 8/13/04 | DWG BY: DRR | PART NUMBER: | DWG | H3020101 | REV B |
| | | | | | SCALE: 1:8 | APR BY: JES | TBD | | | |