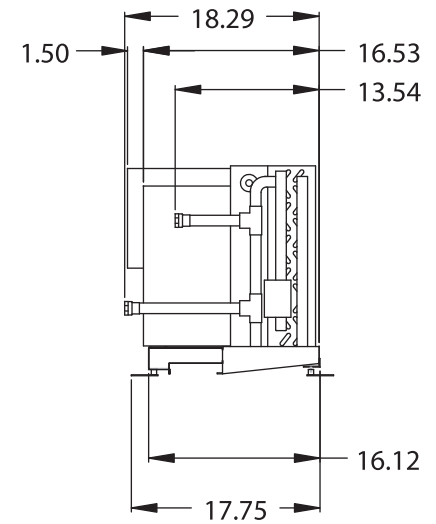
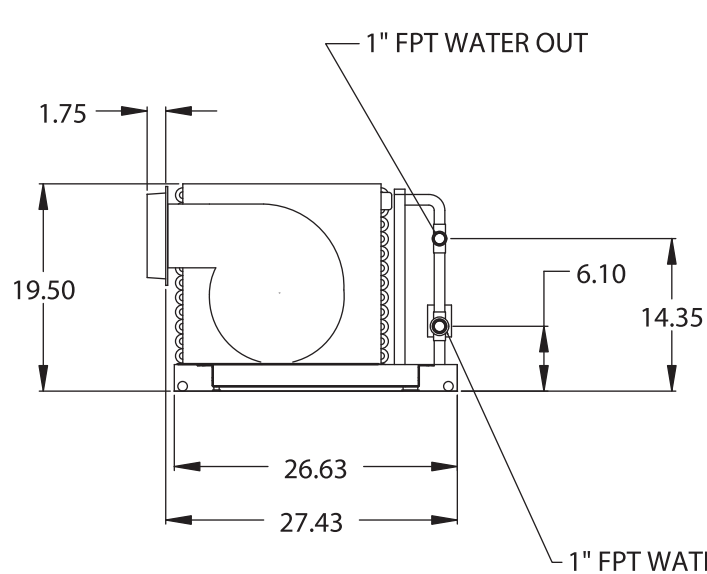
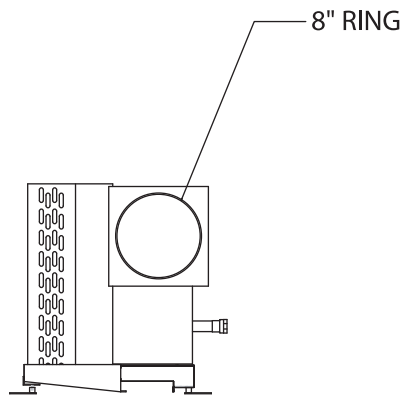


BLOWER SHOWN ROTATED 90°



REMOTE ELECTRIC BOX
NOT SHOWN

STANDARD BOX: 6.13" x 8.00" x 2.00"

FRESH AIR BOX(MU): 14.00" x 11.00" x 5.75"

DWG CREATED BY CAD836-03

ALL DIMENSIONS ±0.25"

WEIGHT = 60 LBS.

REV	DATE	REVISION DESCRIPTION	DWG	APR	Dometic Corporation						
A	6/28/04	REMOVED FLOW VALVE,CAD433-04	DRR	JES					AIR HANDLER AT36HVZ(MU)		
B	12/7/04	ADDED ROT'D BLWR VIEW,UPDATED SHT METAL,CAD745-04	DRR	JES	DATE:	DWG BY:	PART NUMBER:				
C	1/27/05	REVISED ELEC BOX DIMENSIONS,CAD080-05	DRR	JES	1/16/04	DRR	260-140196				
					SCALE:	APR BY:	DWG	H3020091	REV	C	
					NTS	JES					