



# DiaPrime™ Self Priming Pump

Model 531001081

## General Description

The DiaPrime™ pump is a five chamber diaphragm type self-priming pump. It is designed for use in applications where pumps frequently lose their prime.

Examples include:

- Each time a boat is trailered or stored on a hoist,
- "Go fast" boats when they go on plane and the thru hull is out of the water, and
- Sailboats which are heeled over

The DiaPrime™ self-priming pump eliminates the hassle and aggravation of priming the pump in these applications.



The pump is designed for operation on a 115v. power supply and is suitable for use with Marvair Marine self-contained and split system reverse cycle air conditioners with cooling capacities up to 16,000 BTUH. It can deliver up to 4.5 GPM and up to 45 PSI. The pump is ignition protected and is compliant with CE and ISO standard 8846.

## Specifications

### Pump

- Ports: Quick connect fittings
- Prime: 9 feet (27.4 cm)
- Max. water temperature: 130°F/54°C
- Max. Inlet PSI: 30 PSI (2.1 Bar)
- Run dry: Yes

### Motor

- E-coated, permanent magnet brush, continuous duty
- Protection: Thermal Overload
- Fuse: 1.5 Amp Recommended
- Control: Sealed adjustable switch. Shut-Off 45 PSI (3.1 Bar) ± 5 PSI (0.4 Bar). Restart 25 PSI (1.8 Bar) ±5 PSI (0.4 Bar)

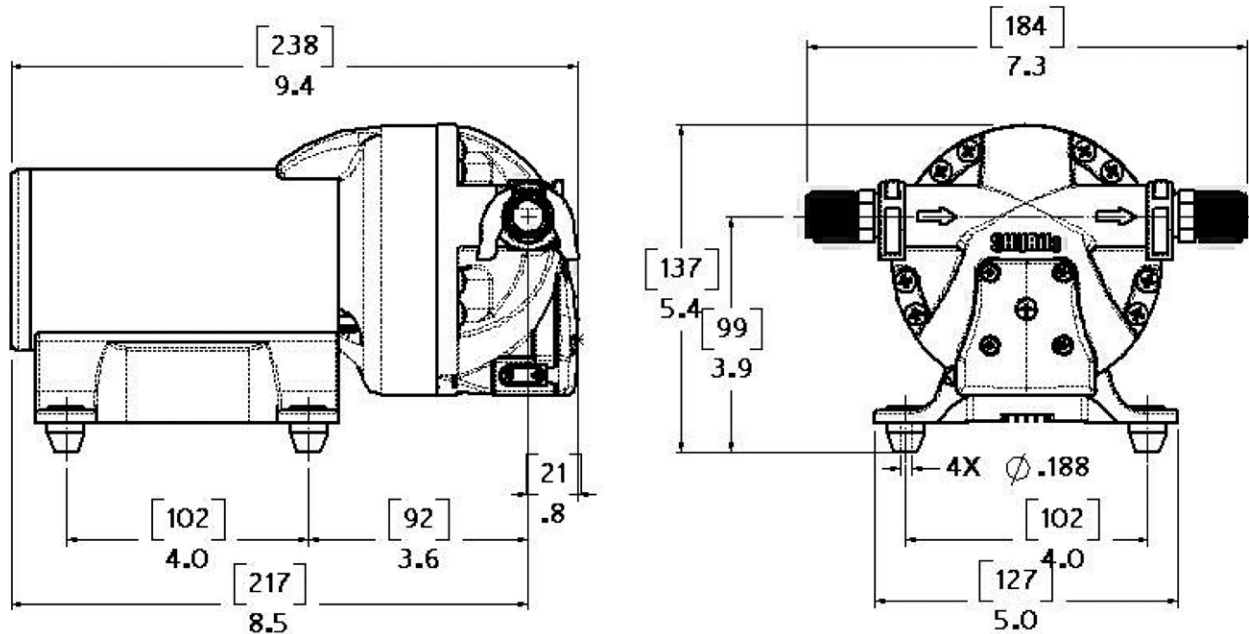
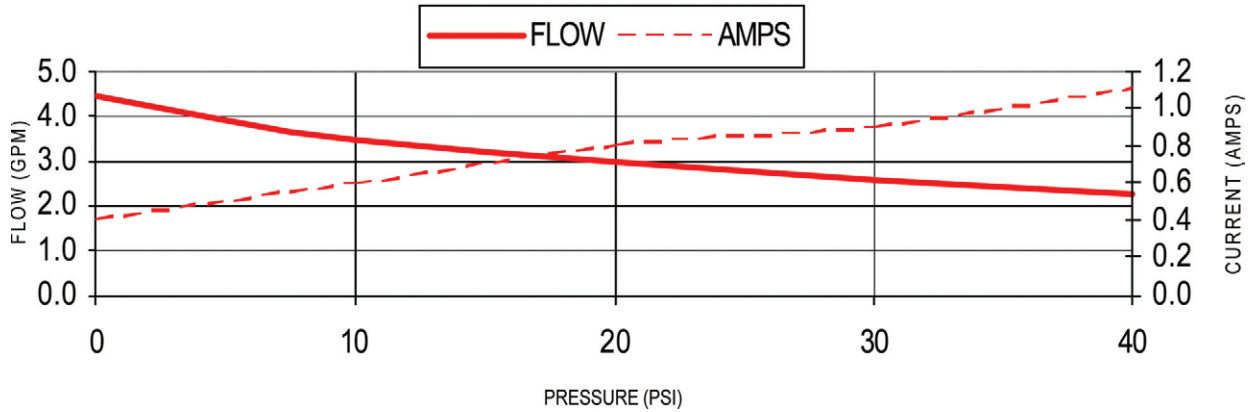
### Materials

- Housing: Nylon
- Valves: EPMD synthetic rubber
- Diaphragm: Santoprene™ thermoplastic vulcanizate
- Hardware: Stainless steel

Shipping Weight: 8.5 lbs (3.9 kg)

## Performance (@ 115V AC)

PRESSURE		FLOW		CURRENT
BAR	PSI	GPM	LPM	AMPS
0.0	0	4.5	17.0	0.4
0.7	10	3.5	13.2	0.6
1.4	20	3.0	11.3	0.8
2.1	30	2.6	9.84	0.9
2.8	40	2.3	8.70	1.1



As part of the Marvair® continuous improvement program, specifications are subject to change without notice.

P.O. Box 400 • Cordele, Georgia 31010  
 156 Seedling Drive • Cordele, Georgia 31015  
 Ph: 229-273-3636 • Fax: 229-273-5154  
 Email: [marvair@airxcel.com](mailto:marvair@airxcel.com)  
[www.marvair.com/marine](http://www.marvair.com/marine)



Marvair Marine UK  
 Unit B8 • Arena Business Centre • Holyrood Close  
 Poole, Dorset BH17 7FL.  
 +44 1202 606405  
[www.marvair.co.uk](http://www.marvair.co.uk)