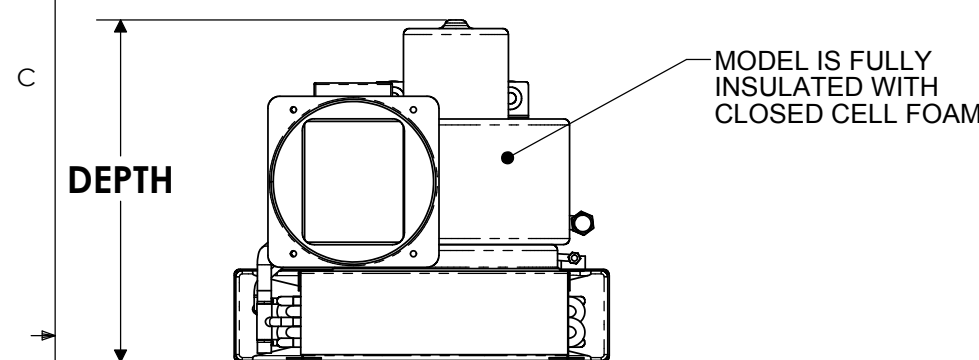
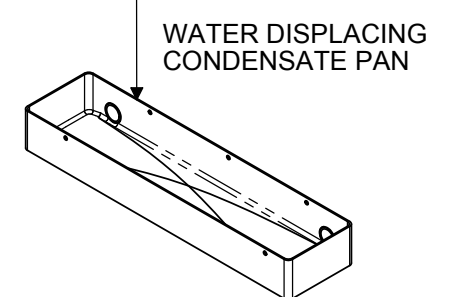
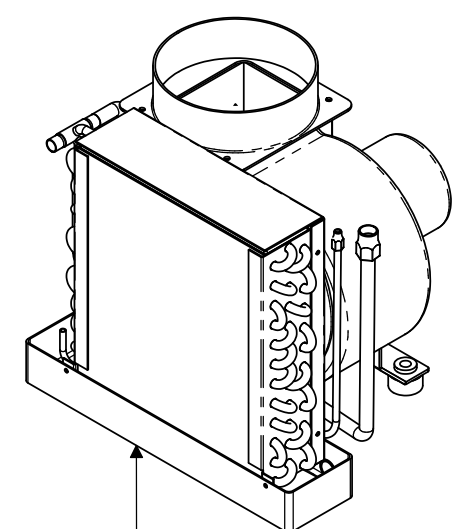
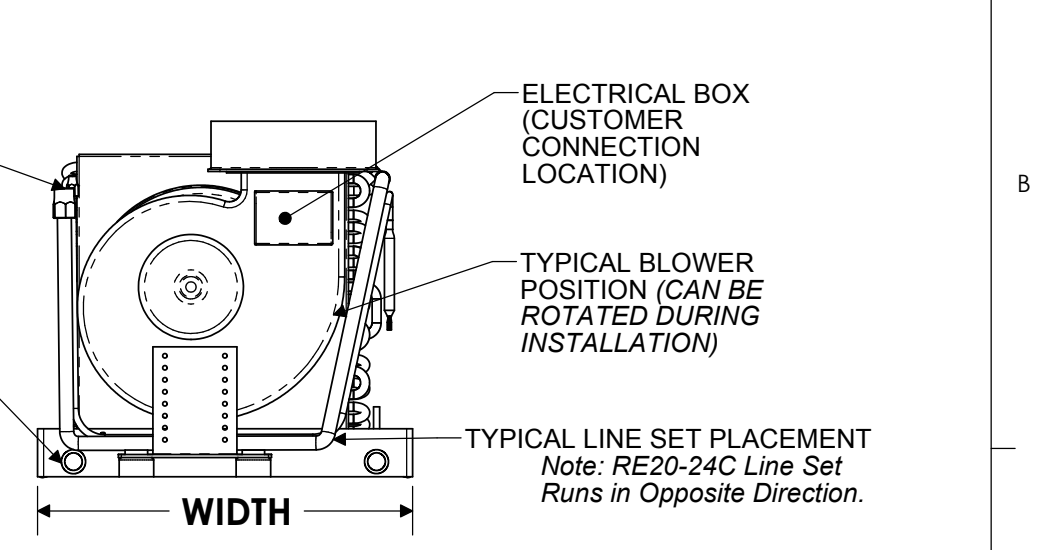
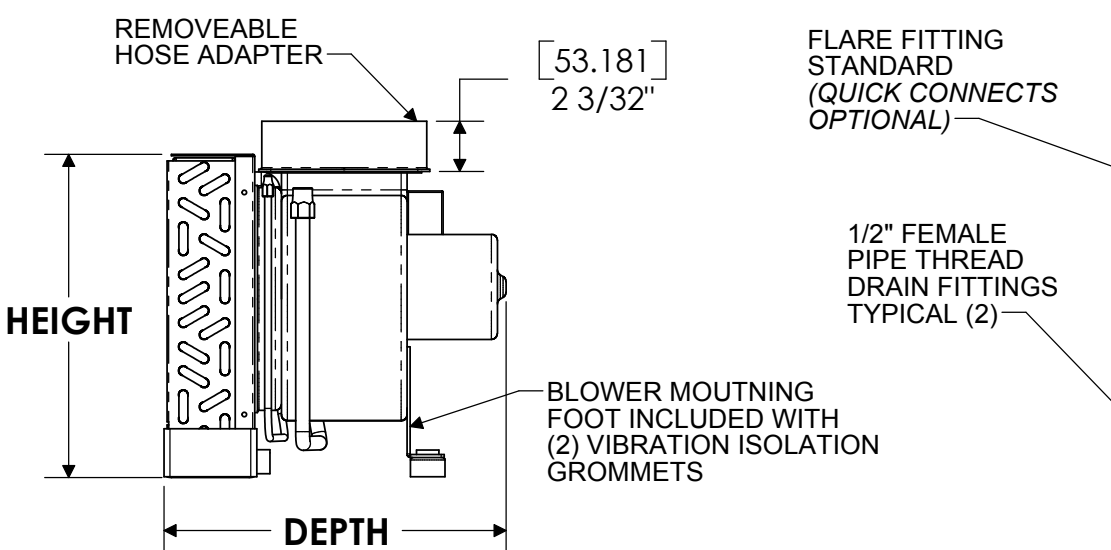
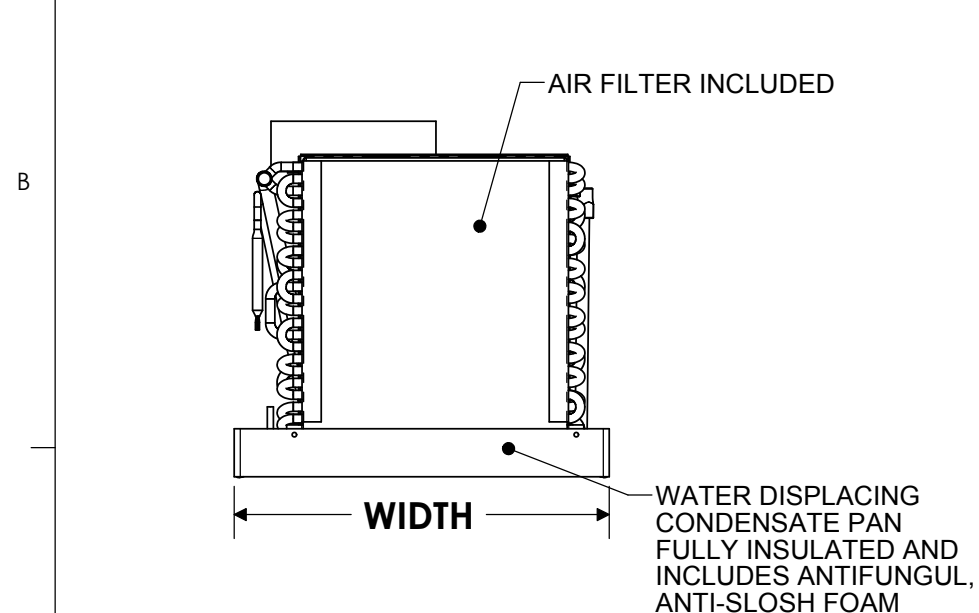


Item Number	Model	Capacity	Voltage (50/60Hz)	Blower Amps	Height (in/mm)		Width (in/mm)		Depth (in/mm)		Weight (lb/kg)		Air Flow (cfm/cmh)		Refrigerant Line Size Discharge Suction		Min. Grill Sizes (sq in/cm) Return Discharge		Min. Duct Size (in/mm)
71500400	RE4	4,000	115	1	9.25	234.95	12.50	317.50	10.25	260.35	10.00	4.54	133	225.99	1/4"	3/8"	64/413	32/206	4/102
715010401	RE4C		230	0.51															
715000501	RE5	5,000	115	1	11.25	285.75	13.75	349.25	11.63	295.40	14.00	6.35	166	282.07	1/4"	3/8"	80/516	45/290	5/127
715010500	RE5C		230	0.51															
715000700	RE7	7,000	115	1.95	14.25	361.95	13.38	339.85	18.50	8.39	18.50	8.39	233	395.91	1/4"	3/8"	100/645	60/387	6/152
715010701	RE7C		230	0.83															
715000801	RE8	8,000	115	1.95	18.25	463.55	19.75	501.65	16.50	419.10	35.00	15.88	266	451.99	3/8"	1/2"	200/1290	110/710	9/229
715010800	RE8C		230	0.83															
715001002	RE10	10,000	115	3.4	20.25	514.35	19.75	501.65	17.50	444.50	42.00	19.05	333	565.83	3/8"	1/2"	240/1548	140/903	10/254
715011000	RE10C		230	1.45															
715001201	RE12	12,000	115	3.4	20.25	514.35	19.75	501.65	17.50	444.50	42.00	19.05	400	697.68	3/8"	1/2"	350/2258	170/1097	10/254
715011202	RE12C		230	1.45															
715001600	RE16	16,000	115	3.25	20.25	514.35	19.75	501.65	17.50	444.50	42.00	19.05	533	905.67	3/8"	1/2"	360/2323	196/1265	10/254
715011603	RE16C		230	1.8															
715012001	RE20C	20,000	230	0.8	20.25	514.35	19.75	501.65	17.50	444.50	42.00	19.05	667	1133.4	3/8"	1/2"	200/1290	110/710	9/229
715012403	RE24C	24,000	230	0.8															
715013000	RE30C	30,000	230	4	20.25	514.35	19.75	501.65	17.50	444.50	42.00	19.05	1000	1699.2	3/8"	1/2"	350/2258	170/1097	10/254
715013601	RE36C	36,000	230	8															

Model Shown: RE16



MODEL INTERPERTATION:			
RE	Blower Type	12	C
Remote Evaporator	U: high-efficiency PSC internal blower motor Blank: shaded pole external blower motor	Capacity x 1,000 BTU/Hr	C: 230V Blank: 115V



PROPRIETARY AND CONFIDENTIAL
THE INFORMATION CONTAINED IN THIS DRAWING IS THE SOLE PROPERTY OF <INSERT COMPANY NAME HERE>. ANY REPRODUCTION IN PART OR AS A WHOLE WITHOUT THE WRITTEN PERMISSION OF <INSERT COMPANY NAME HERE> IS PROHIBITED.

UNLESS OTHERWISE SPECIFIED:		NAME	DATE	Cruisair
DIMENSIONS ARE IN INCHES TOLERANCES: FRACTIONAL ± ANGULAR: MACH ± BEND ± TWO PLACE DECIMAL ± THREE PLACE DECIMAL ±		DRAWN	RMS	
INTERPRET GEOMETRIC TOLERANCING PER:		CHECKED		TITLE: GENERIC "RE" TYPE EVAPORATOR RE4-36K BTU/HR
MATERIAL		ENG APPR.		
FINISH		MFG APPR.		SIZE B DWG. NO. RE UNIT REV O.I.
NEXT ASSY	USED ON	Q.A.		
APPLICATION		COMMENTS:		SCALE: 1:8 WEIGHT: SHEET 1 OF 1
DO NOT SCALE DRAWING				