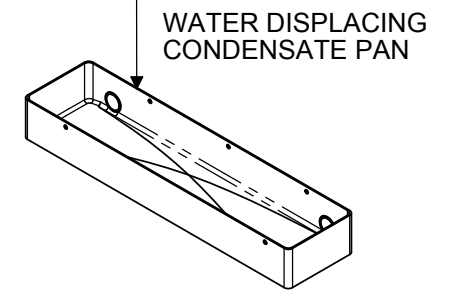
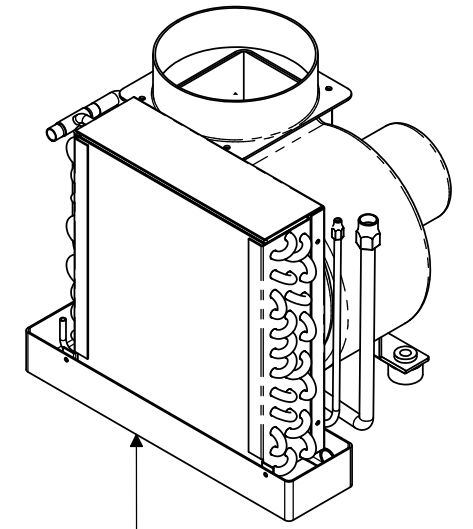


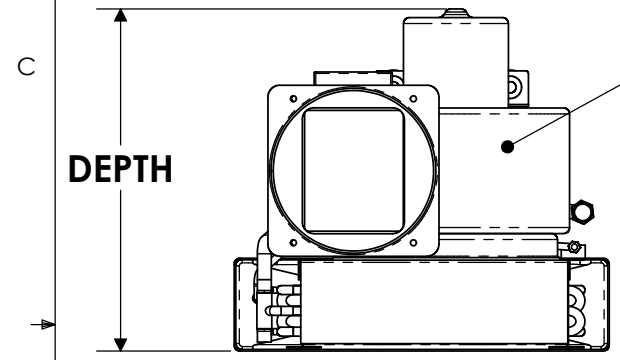
| Item Number | Model | Capacity | Voltage (50/60Hz) | Blower Amps | Height (in/mm) | | Width (in/mm) | | Depth (in/mm) | | Weight (lb/kg) | | Air Flow (cfm/cmh) | | Refrigerant Line Size Discharge Suction | | Min. Grill Sizes (sq in/cm) Return Discharge | | Min. Duct Size (in/mm) |
|-------------|-------|----------|-------------------|-------------|----------------|--------|---------------|--------|---------------|--------|----------------|-------|--------------------|--------|---|------|--|----------|------------------------|
| | | | | | | | | | | | | | | | | | | | |
| 71500400 | RE4 | 4,000 | 115 | 1 | 9.25 | 234.95 | 12.50 | 317.50 | 10.25 | 260.35 | 10.00 | 4.54 | 133 | 225.99 | 1/4" | 3/8" | 64/413 | 32/206 | 4/102 |
| 715010401 | RE4C | | 230 | 0.51 | | | | | | | | | | | | | | | |
| 715000501 | RE5 | 5,000 | 115 | 1 | 11.25 | 285.75 | 13.75 | 349.25 | 11.63 | 295.40 | 14.00 | 6.35 | 166 | 282.07 | 1/4" | 3/8" | 80/516 | 45/290 | 5/127 |
| 715010500 | RE5C | | 230 | 0.51 | | | | | | | | | | | | | | | |
| 715000700 | RE7 | 7,000 | 115 | 1.95 | 13.25 | 336.55 | 15.75 | 400.05 | 14.25 | 361.95 | 22.00 | 9.98 | 233 | 395.91 | 1/4" | 3/8" | 89/574 | 47/303 | 6/152 |
| 715010701 | RE7C | | 230 | 0.83 | | | | | | | | | | | | | | | |
| 715000801 | RE8 | 8,000 | 115 | 1.95 | 18.25 | 463.55 | 19.75 | 501.65 | 16.50 | 419.10 | 35.00 | 15.88 | 266 | 451.99 | 1/4" | 3/8" | 100/645 | 60/387 | 9/229 |
| 715010800 | RE8C | | 230 | 0.83 | | | | | | | | | | | | | | | |
| 715001002 | RE10 | 10,000 | 115 | 3.4 | 20.25 | 514.35 | 19.75 | 501.65 | 17.50 | 444.50 | 42.00 | 19.05 | 333 | 565.83 | 3/8" | 1/2" | 160/1032 | 80/516 | 10/254 |
| 715011000 | RE10C | | 230 | 1.45 | | | | | | | | | | | | | | | |
| 715001201 | RE12 | 12,000 | 115 | 3.4 | 20.25 | 514.35 | 19.75 | 501.65 | 17.50 | 444.50 | 42.00 | 19.05 | 400 | 697.68 | 3/8" | 1/2" | 200/1290 | 110/710 | 10/254 |
| 715011202 | RE12C | | 230 | 1.45 | | | | | | | | | | | | | | | |
| 715001600 | RE16 | 16,000 | 115 | 3.25 | 20.25 | 514.35 | 19.75 | 501.65 | 17.50 | 444.50 | 42.00 | 19.05 | 533 | 905.67 | 3/8" | 1/2" | 240/1548 | 140/903 | 10/254 |
| 715011603 | RE16C | | 230 | 1.8 | | | | | | | | | | | | | | | |
| 715012001 | RE20C | 20,000 | 230 | 0.8 | 20.25 | 514.35 | 19.75 | 501.65 | 17.50 | 444.50 | 42.00 | 19.05 | 667 | 1133.4 | 3/8" | 1/2" | 350/2258 | 170/1097 | 10/254 |
| 715012403 | RE24C | 24,000 | 230 | 0.8 | | | | | | | | | | | | | | | |
| 715013000 | RE30C | 30,000 | 230 | 4 | 20.25 | 514.35 | 19.75 | 501.65 | 17.50 | 444.50 | 42.00 | 19.05 | 1000 | 1699.2 | 3/8" | 1/2" | 360/2323 | 196/1265 | 10/254 |
| 715013601 | RE36C | 36,000 | 230 | 8 | | | | | | | | | | | | | | | |

Model Shown: RE16

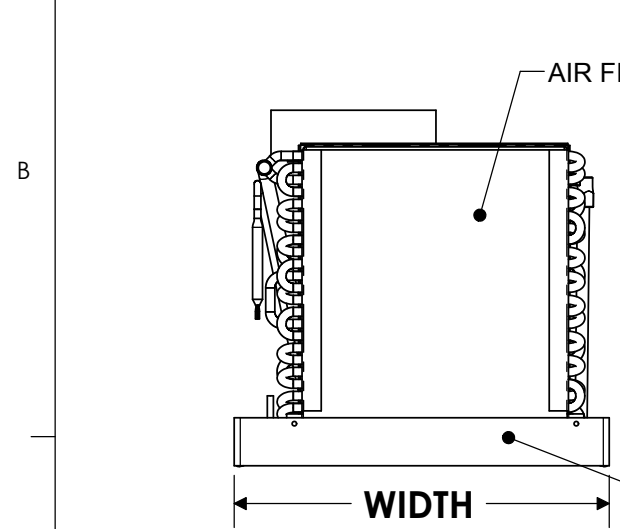


MODEL IS FULLY INSULATED WITH CLOSED CELL FOAM.

| MODEL INTERPERTATION: | | | |
|-----------------------|--|-------------------------|--------------------------------|
| RE | Blower Type | 12 | C |
| Remote Evaporator | U: high-efficiency PSC internal blower motor Blank: shaded pole external blower motor | Capacity x 1,000 BTU/Hr | Voltage C: 230V Blank: 115V |



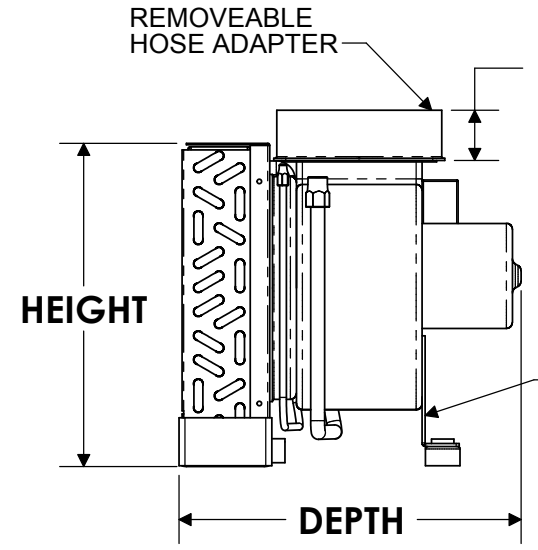
DEPTH



AIR FILTER INCLUDED

WIDTH

WATER DISPLACING CONDENSATE PAN FULLY INSULATED AND INCLUDES ANTIFUNGUL, ANTI-SLOSH FOAM



HEIGHT

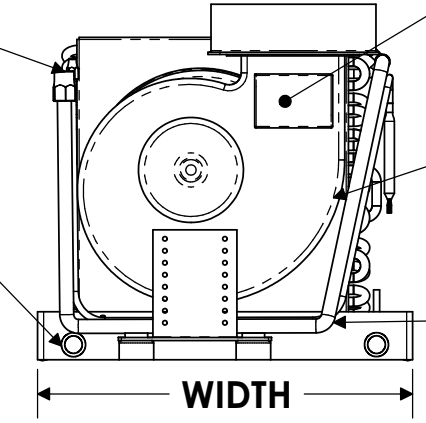
DEPTH

53.181
2 3/32"

FLARE FITTING STANDARD (QUICK CONNECTS OPTIONAL)

1/2" FEMALE PIPE THREAD DRAIN FITTINGS TYPICAL (2)

BLOWER MOUNTING FOOT INCLUDED WITH (2) VIBRATION ISOLATION GROMMETS



WIDTH

ELECTRICAL BOX (CUSTOMER CONNECTION LOCATION)

TYPICAL BLOWER POSITION (CAN BE ROTATED DURING INSTALLATION)

TYPICAL LINE SET PLACEMENT
Note: RE20-24C Line Set Runs in Opposite Direction.

PROPRIETARY AND CONFIDENTIAL
THE INFORMATION CONTAINED IN THIS DRAWING IS THE SOLE PROPERTY OF <INSERT COMPANY NAME HERE>. ANY REPRODUCTION IN PART OR AS A WHOLE WITHOUT THE WRITTEN PERMISSION OF <INSERT COMPANY NAME HERE> IS PROHIBITED.

| | | | | |
|---|---------|-----------|------|--|
| UNLESS OTHERWISE SPECIFIED: | | NAME | DATE | Cruisair |
| DIMENSIONS ARE IN INCHES TOLERANCES: FRACTIONAL ± ANGULAR: MACH ± BEND ± TWO PLACE DECIMAL ± THREE PLACE DECIMAL ± | | DRAWN | RMS | |
| INTERPRET GEOMETRIC TOLERANCING PER: | | CHECKED | | TITLE: GENERIC "RE" TYPE EVAPORATOR RE4-36K BTU/HR |
| MATERIAL | | ENG APPR. | | |
| FINISH | | MFG APPR. | | SIZE B DWG. NO. RE UNIT REV O.I. |
| NEXT ASSY | USED ON | Q.A. | | |
| APPLICATION | | COMMENTS: | | SCALE: 1:8 WEIGHT: SHEET 1 OF 1 |
| DO NOT SCALE DRAWING | | | | |