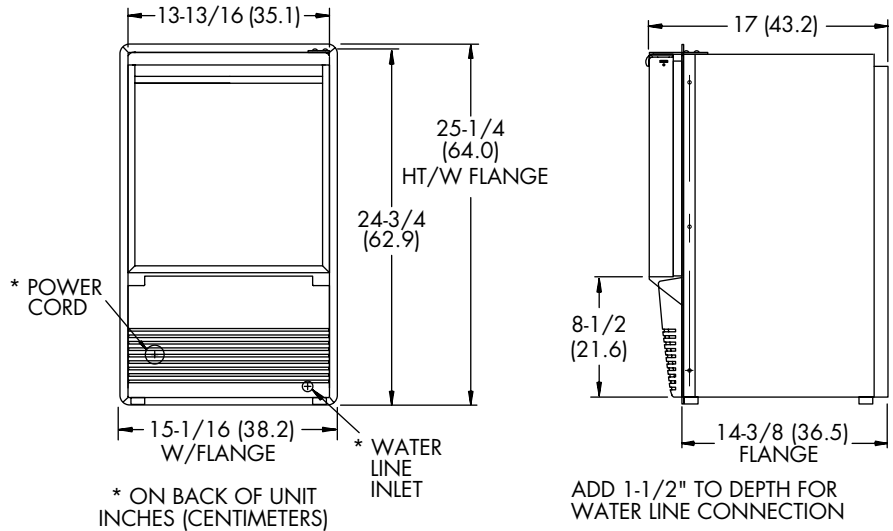
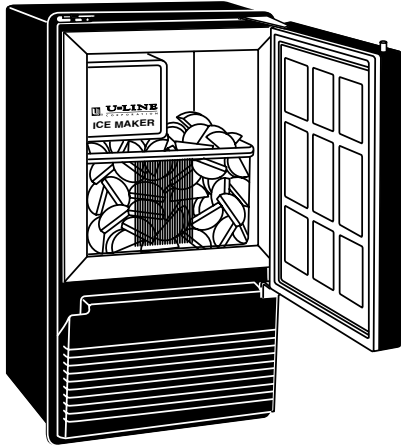


ICE MAKER

Model BI-95BTP



FEATURES

1. **High ice production**
2. **Requires no drain**
3. **Front vented for built-in installation**
4. **Conserves water**
5. **Conserves energy**
6. **Field reversible door with zero clearance door swing**
7. **Adjustable temperature control**
8. **1/2 inch wide flange**
9. **Corrosive resistant components**

BENEFITS

- Produces up to 23 lbs. of ice per day and stores 12 lbs.*
- Easy and inexpensive to install. Only needs 1/4 inch outside diameter water line connection.*
- No need for extra fans, air space, or special venting to the outside of the cabin. **Do not obstruct front grille.***
- Only 2-3/4 gallons of water required to produce approximately 22 lbs. of ice.*
- Uses less electricity than a 75-watt light bulb.*
- Fits any location, easy access.*
- Permits adjustment of daily ice rate.*
- Surrounds front of cabinet for easy mounting in surrounding cabinets.*
- Hinges and fasteners are stainless steel to prevent corrosion.*

ADDITIONAL FEATURES:

- Will accept flat or raised panel
- Panel size: H 13-15/32" X W 12-15/16"
- Travel pin keeps door securely closed
- See through, removable ice bucket
- Shipping weight: 65 lbs.
- Available in 110/115V 60 cycle or 220/230V 50/60 cycle

All specifications subject to change without notice.