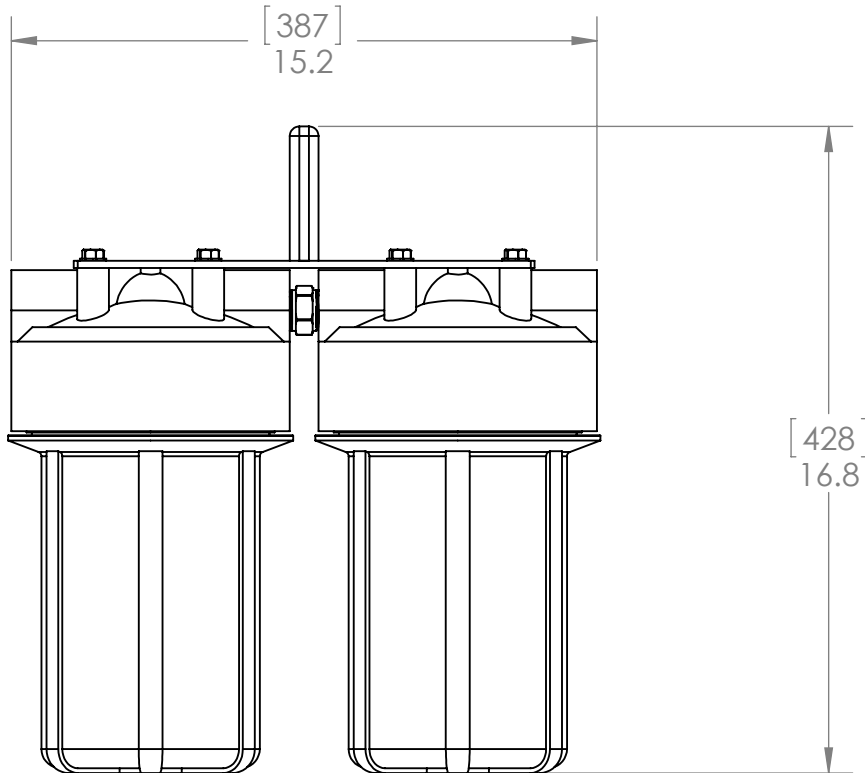


[189]
7.4



[387]
15.2

[428]
16.8

NOTICE OF CONFIDENTIALITY

THE INFORMATION CONTAINED IN THIS DRAWING IS THE SOLE PROPERTY OF BLUE WATER DESALINATION LLC. ANY REPRODUCTION, CIRCULATION, AND DISTRIBUTION IN PART OR AS A WHOLE WITHOUT THE WRITTEN CONSENT OF BLUE WATER DESALINATION LLC IS STRICTLY PROHIBITED.

MATERIAL:
FINISH:
DO NOT SCALE DRAWING

TOLERANCES
UNLESS OTHERWISE SPECIFIED:
DIMENSIONS ARE IN INCHES AND MILLIMETER
FRACTIONAL: ± 1/16" ± 1.5mm
ANGULAR: ± 1 DEG
X ± 0.1" ± 2.5mm
XX ± 0.01" ± 0.50mm
XXX ± 0.005" ± 0.127mm

APPROVALS	DATE
DRAWN	
CHECK	
MFG	
QUAL	
CHIEF	



Blue Water
DESALINATION

1930 E. CARSON ST. SUITE 103
CARSON, CA, 90810
TEL: 1 (855) 55 DESAL
FAX: 1 (310) 684 - 1474
www.BlueWaterDesalination.com

TITLE: FILTER, ASSY, DUAL, 5-CARBON, CMM

SIZE D	DRAWING NUMBER FL1133	REV NR
SCALE:	WEIGHT:	SHEET 2 OF 2