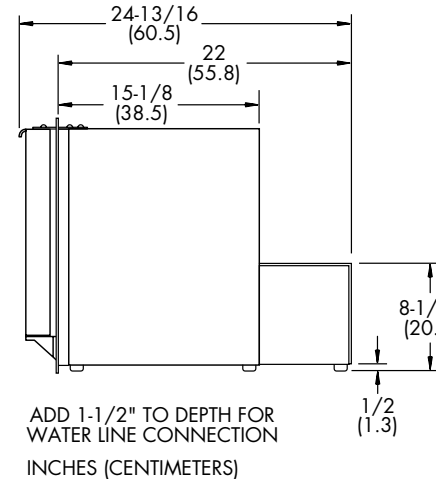
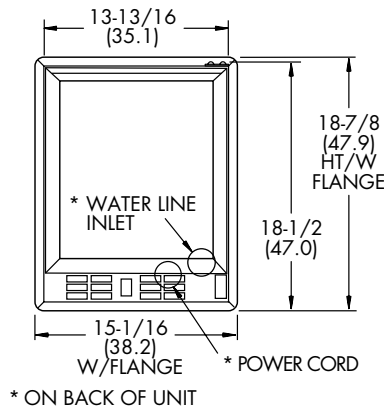
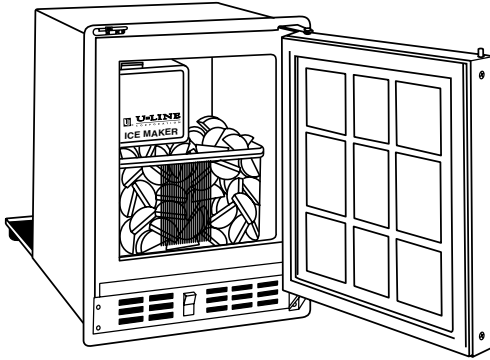


# ICE MAKER

## Model SP18 - Low Profile



## FEATURES

1. **High ice production**
2. **Short/low profile**
3. **Front vented for built-in installation**
4. **Corrosive resistant components**
5. **UV resistant components**
6. **No drain required for water**
7. **Conserves water**
8. **Field reversible door**
9. **Adjustable temperature control**
10. **1/2 inch wide flange**

### ADDITIONAL FEATURES:

- Travel pin keeps door securely closed
- Available in 110/115V 60 cycle or 220/230V 50/60 cycle
- Shipping weight: 68 lbs.
- Vinyl clad steel cabinet
- Available in white or black
- See through, removable ice bucket

## BENEFITS

- Produces up to 20 lbs. of ice per day and stores 12 lbs.*
- Takes up minimal amount of space.*
- No need for extra fans or special venting to the outside of cabin. **Do not obstruct front grille.***
- Hinges and fasteners are stainless steel to prevent corrosion.*
- White model has metal door frame and handle, and specially coated grille to withstand adverse effects caused by the sun.*
- Easy and inexpensive to install; only needs 1/4" outside diameter water line connection.*
- Only 2-1/2 gallons of water required to produce approximately 20 lbs. of ice.*
- Fits any location, easy access. Zero clearance door swing.*
- Permits adjustment of daily ice rate.*
- Surrounds front of cabinet for easy mounting in surrounding cabinets.*

All specifications subject to change without notice.