

Now Available  
With R-410A

# Stowaway Turbo Self-Contained Series

## Powerful, Quiet & Compact With No Drain Pan Worries

Photo courtesy of Cruisers Yachts



STQ16K StowawayTurbo shown  
with optional sound cover



**The Stowaway Turbo series completely revolutionized self-contained cooling and heating** with the newest innovations in marine air conditioning system design.

The rust-free molded composite drain pan has three drains for the rapid removal of condensate water.

An advanced cushioning system results in significantly quieter, virtually vibration-free operation. The enclosed blower motor eliminates overhang to provide easier installation.

The Turbo series was specifically engineered to harness and maximize the impressive performance of R-410A refrigerant. Used in the HVAC industry for more than 10 years, R-410A refrigerant is proven, reliable, and complies with all EPA standards and is accepted world wide.

### Easy-to-install sound cover provides up to 50% noise reduction



Make a quiet system even quieter. These compact, easy-to-install sound covers are available for all Stowaway Turbo models.

The cover fits over the compressor, providing a 3- to 5-dB noise reduction—which is about a 50% drop in what the human ear can perceive. Installation takes just minutes and all mounting hardware is included.

### Key Benefits

- Up to 27% more energy efficient.
- Up to 21% increased capacity.
- Compact design uses less space.
- Rust-free drain pan.
- Up to 85% less standing water in drain pan.
- Reduced noise and vibration with high-velocity blowers and mounts.
- Optional sound cover further reduces compressor noise by up to 50%.
- Engineered to maximize performance of R-410A, an environmentally safe refrigerant.

### Customer comment:

"There is very little noise coming from the compressor, and vibrations are practically non-existent. I highly recommend this unit."

— Bob Silverman, owner,  
305 Bayliner Express Cruiser

ISO 9001:2008

L-2502D Rev. 20100730

**Cruisair**<sup>®</sup>  
by Dometic GROUP

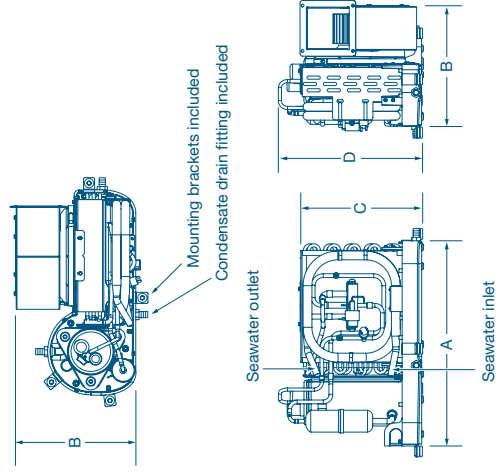
# Technical Specifications for Vector Turbo Series

Model <sup>(1)</sup>	STQ6K			STQ8K			STQ10K			STQ12K			STQ16K					
	6,000	8,000		10,000	12,000	16,000	115	230	240	115	230	240	115	230	240	115	230	240
Capacity (BTU/Hr) <sup>(2)</sup>	115	230	240	115	230	240	115	230	240	115	230	240	115	230	240	115	230	240
Voltage (VAC)	60/1	60/1	50/1	60/1	60/1	50/1	60/1	60/1	50/1	60/1	60/1	50/1	60/1	60/1	50/1	60/1	60/1	50/1
Cycle (Hz)/Phase (Ph) <sup>(3)</sup>	4.60	2.20	2.70	5.50	3.10	3.20	6.70	3.30	2.90	8.70	4.00	3.30	10.40	5.10	4.60	13.60	6.60	6.00
Full Load Amps (FLA) cool	5.90	2.80	3.70	7.10	4.00	4.10	8.80	3.90	3.80	10.90	5.10	4.30	13.60	6.60	6.00	18.10	9.00	8.30
Full Load Amps (FLA) heat	0.80	0.36	0.36	1.31	0.70	0.83	1.14	0.61	0.48	1.14	0.61	0.48	1.14	0.61	0.48	1.14	0.61	0.48
Blower (FLA)	36.00	17.70	17.70	36.00	17.70	17.70	42.00	22.00	18.80	58.00	28.00	21.00	62.00	34.00	22.00	62.00	34.00	22.00
Locked Rotor Amps (Comp)	0.88	0.64	0.88	0.82	0.92	0.99	1.02	0.90	0.91	1.26	1.18	1.03	1.57	1.51	1.43	1.57	1.51	1.43
K.V.A. (Kilo-Volt-Amps)	20	11	10	21	11	11	27	16	14	34	18	14	42	20	20	42	20	20
Max. Circuit Breaker (Amps)	11	6	6	12	6	6	16	9	8	19	10	8	24	12	11	24	12	11
Min. Circuit Ampacity (Amps)	8.5/241	8.5/241	8.5/241	9.0/255	9.5/269	9.5/269	11.0/312	11.0/312	11.0/312	10.5/298	11.0/312	11.0/312	10.5/298	11.0/312	11.0/312	10.5/298	11.0/312	11.0/312
Refrigerant R-410A (oz/g)																		
	Unit Dimensions (in./mm) <sup>(4)</sup>																	
Height – Evaporator (C <sup>1</sup> )	10.8/274	10.8/274	10.8/274	10.8/274	10.8/274	10.8/274	10.8/274	10.8/274	10.8/274	10.8/274	10.8/274	10.8/274	10.8/274	10.8/274	10.8/274	10.8/274	10.8/274	10.8/274
Height – Compressor (D <sup>1</sup> )	11.1/282	11.1/282	11.1/282	11.1/282	11.1/282	11.1/282	11.1/282	11.1/282	11.1/282	11.1/282	11.1/282	11.1/282	11.1/282	11.1/282	11.1/282	11.1/282	11.1/282	11.1/282
Height – w/opt. Sound Cover	13.4/340	13.4/340	13.4/340	13.4/340	13.4/340	13.4/340	13.4/340	13.4/340	13.4/340	13.4/340	13.4/340	13.4/340	13.4/340	13.4/340	13.4/340	13.4/340	13.4/340	13.4/340
Width (A <sup>1</sup> )	17.6/447	17.6/447	17.6/447	17.6/447	17.6/447	17.6/447	17.6/447	17.6/447	17.6/447	17.6/447	17.6/447	17.6/447	17.6/447	17.6/447	17.6/447	17.6/447	17.6/447	17.6/447
Depth (B <sup>1</sup> )	10.7/272	10.7/272	10.7/272	10.7/272	10.7/272	10.7/272	10.7/272	10.7/272	10.7/272	10.7/272	10.7/272	10.7/272	10.7/272	10.7/272	10.7/272	10.7/272	10.7/272	10.7/272
Min. Duct Size Ø (in./mm)	4/102	4/102	4/102	4/102	4/102	4/102	4/102	4/102	4/102	4/102	4/102	4/102	4/102	4/102	4/102	4/102	4/102	4/102
Min. SA Grille (sq. in./sq. cm.)	32/206	32/206	32/206	32/206	32/206	32/206	32/206	32/206	32/206	32/206	32/206	32/206	32/206	32/206	32/206	32/206	32/206	32/206
Min. RA Grille (sq. in./sq. cm.)	64/413	64/413	64/413	64/413	64/413	64/413	64/413	64/413	64/413	64/413	64/413	64/413	64/413	64/413	64/413	64/413	64/413	64/413
Net Weight (lbs/kg)	43.4/19.7	43.4/19.7	43.4/19.7	46.7/21.2	46.7/21.2	46.7/21.2	49.6/22.5	52.6/23.9	52.6/23.9	52.6/23.9	52.6/23.9	52.6/23.9	52.6/23.9	52.6/23.9	52.6/23.9	52.6/23.9	52.6/23.9	52.6/23.9
Gross Weight (lbs/kg)	53.4/24.2	53.4/24.2	53.4/24.2	56.7/25.7	56.7/25.7	56.7/25.7	59.6/27.0	62.6/28.4	62.6/28.4	62.6/28.4	62.6/28.4	62.6/28.4	62.6/28.4	62.6/28.4	62.6/28.4	62.6/28.4	62.6/28.4	62.6/28.4

**Notes:**

- <sup>(1)</sup> Add a 'C' after the capacity designator for 230V units. Examples STQ8 = 115V, STQ8C=230V.
- <sup>(2)</sup> BTU and electrical data are based on a 45°F/7.2°C evaporator and 100°F/37.8°C condenser in cool mode, and a 45°F/7.2°C evaporator and 130°F/54.4°C condenser in heat.
- <sup>(3)</sup> 60Hz units must not operate at 50Hz and 50Hz units must not operate at 60Hz unless data plate states otherwise.
- <sup>(4)</sup> Electric box is remote mounted up to 34" (864 mm) away from compressor. Electrical box dimensions are 2.7" (69 mm) x 6.5" (165 mm) x 8.8" (224 mm).

† Refers to callouts shown in drawing below.



**DOMETIC MARINE DIVISION**  
 2000 N. Andrews Ave. Ext. J Pompano Beach, FL 33069 USA | 954-973-2477 | Fax 954-979-4414  
 www.DometicUSA.com | MarineSales@DometicUSA.com

**24/7 Tech Support for United States & Canada:**  
 8:00 AM to 5:00 PM Eastern Time: 800-542-2477  
 After hours and weekends: 888-440-4494

**International Sales & Service:**  
 Europe & the Middle East: Call +44(0)870-330-6101  
 For all other areas visit our website to find your nearest distributor.



Dealer: