

Qht and Q3 Control/Displays

For Operation With the Q-Logic Microprocessor Control System



Qht display with
Vimar® Idea bezel shown



The Cruisair® Q-Logic Control System is designed for use with both direct expansion evaporators and tempered water air handlers. This dual microprocessor-based control consists of a power/logic circuit board in the system's electrical box that operates with Qht and Q3 control/displays.

An optional CAN-bus network adapter is available for new Q-Logic systems and as a retrofit for existing installations. Supporting both the Qht and the Q3 controls, this adapter provides ship-wide network monitoring and controlling of multiple DX systems or air handlers. The CAN-bus adapter adheres to CAN-bus Standard 2.0B and is fully ISO compliant. It is available in two CAN-bus communication protocols to support connection to several popular helm and cabin touchscreen control systems.

The Qht control/display is European in style and accommodates an assortment of decorative bezels — including a new model sized to fit the popular Vimar Eikon bezel. The Qht display features raised buttons for easy access and control and an attractive blue backlit LCD.

The Q3 display is rectangular with a bezel look and LED display window. Designed as an economical version of the Qht, the Q3 features a sturdy, smooth, black plastic case with attractive white lettering, and raised buttons for easy access. Like the Qht, the Q3 was developed for user-friendly, logical operation.



New Qht control for the Vimar Eikon bezel

The Qht and Q3 are compatible only with Q-Logic boards and are not backward compatible with SMX II systems. Both displays have three levels of brightness and a programmable sleep mode in which the display dims automatically when not in use.

Key Benefits

- Easier menu-based programming.
- Smarter error/fault codes.
- Timed setting for air filter replacement.
- Automatic dehumidification.
- Optional humidity sensor to monitor and control relative humidity.
- Optional outside-temperature sensor.
- Optional electric heat package.
- Better serviceability with separate off-board compressor triac.
- Inside temperature sensor and display cable are identical to SMX platform.
- Optional CAN-bus network adapter for monitoring and controlling multiple DX systems or TW air handlers.
- Q3 has a small surface-mount display with a simple four-button interface.
- Qht supports both Vimar® Idea, Vimar Eikon, and Gewiss® Playbus bezels
- The Qht's elegant, panel-mount design can be installed in the same cutout as the SMX II SMXht, however it must be operated by a Q-Logic board.

Dimensions for Qht Displays

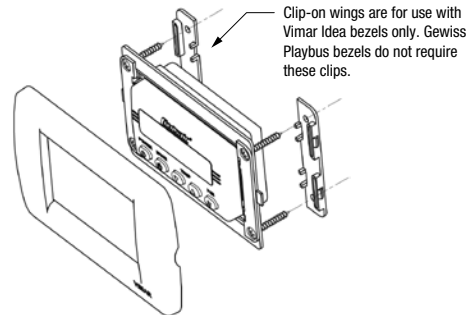
MODEL	VIMAR IDEA & GEWISS PLAYBUS	VIMAR EIKON
Height - Cutout (in/mm)	2.05/52	2.750/70
Width - Cutout (in/mm)	3.73/95	1.875/48
Height - Back of Control (in/mm)	2.13/54	1.764/45
Width - Back of Control (in/mm)	3.44/88	2.657/68
Depth - Back of Control (in/mm)	0.75/19	0.769/20
Height - Display (in/mm)	2.81/72	2.874/73
Width - Display (in/mm)	4.39/112	4.646/118
Height - Bezel (in/mm)	3.27/83	4.72/120
Width - Bezel (in/mm)	4.84/123	3.35/85

A dehumidification mode operates the system on a timed basis so the boat stays ventilated and dry even when no one is aboard (optional electric heat package recommended).

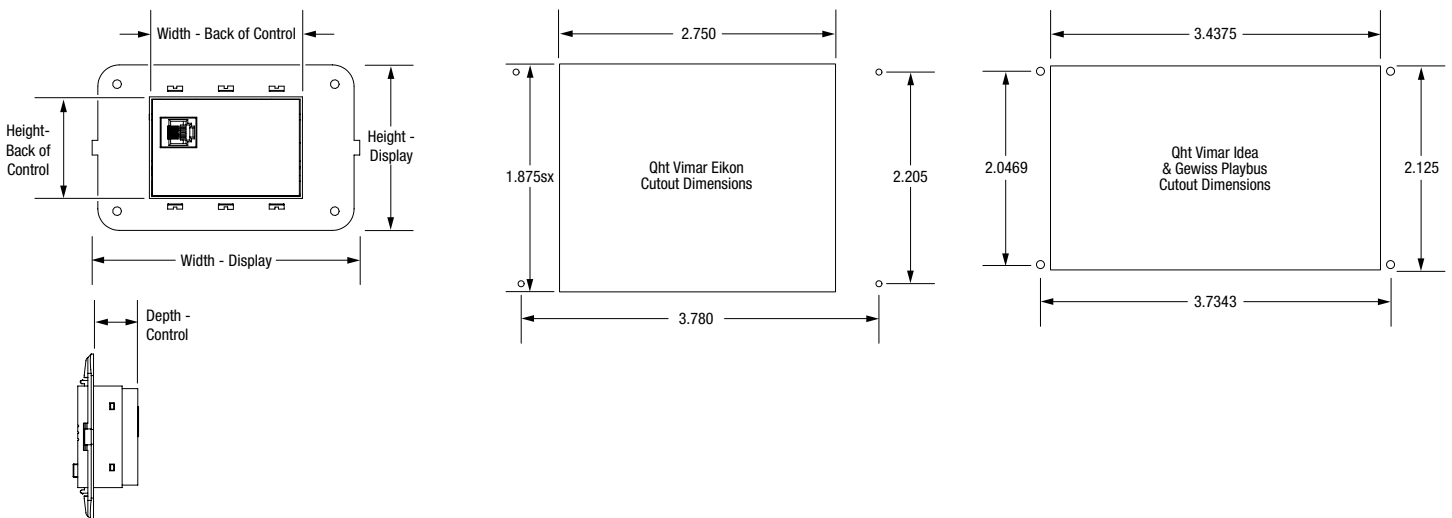
The Qht and Q3 also operate the auxiliary heat. If the optional water-temperature sensor is installed, Q-Logic provides an automatic change-over function from cooling to heating.

Dimensions for Q3 Display

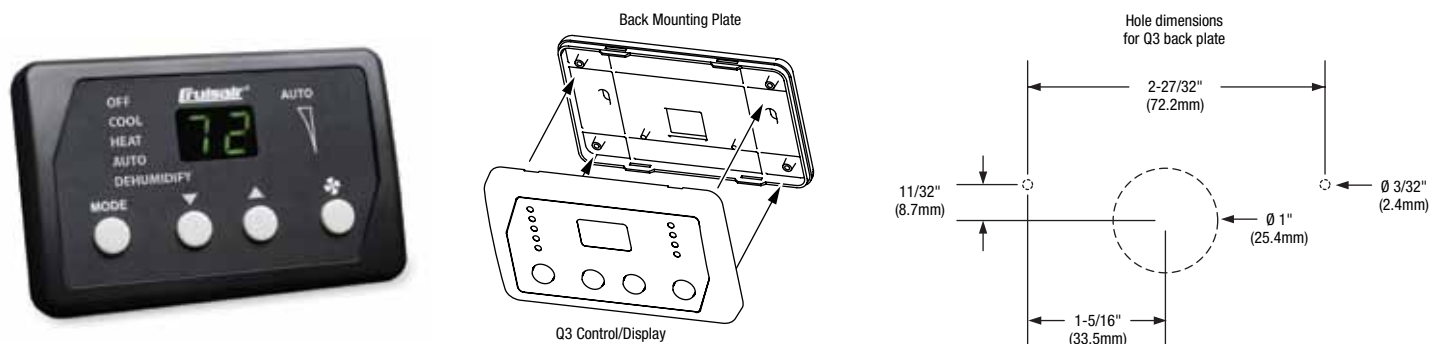
MODEL	Q3 DISPLAY
Hole Diameter - for CXP cable connection (in/mm)	1.00/26
Height - Control (in/mm)	2.53/65
Width - Control (in/mm)	3.50/89
Depth - Control (in/mm)	0.75/19



Qht Control/Display Cut-Out Diagrams



Q3 Control/Display Cut-Out Diagram



DOMETIC MARINE DIVISION

2000 N. Andrews Ave. Ext. I Pompano Beach, FL 33069 USA | 954-973-2477 | Fax 954-979-4414
www.DometicUSA.com | MarineSales@DometicUSA.com

24/7 Tech Support for United States & Canada:

8:00 AM to 5:00 PM Eastern Time: 800-542-2477
After hours and weekends: 888-440-4494

International Sales & Service:

Europe & the Middle East: Call +44(0)870-330-6101
For all other areas visit our website to find your nearest distributor.



Dealer: