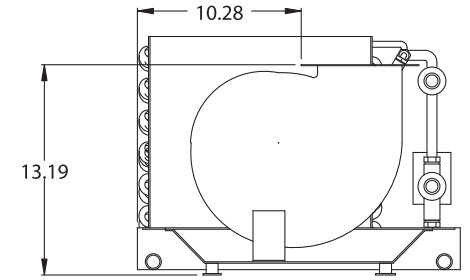
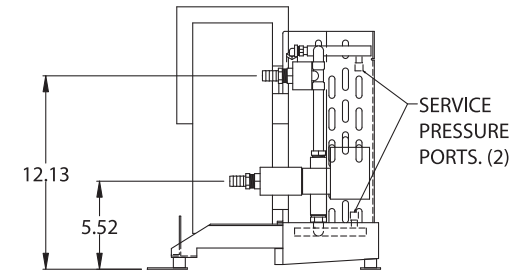
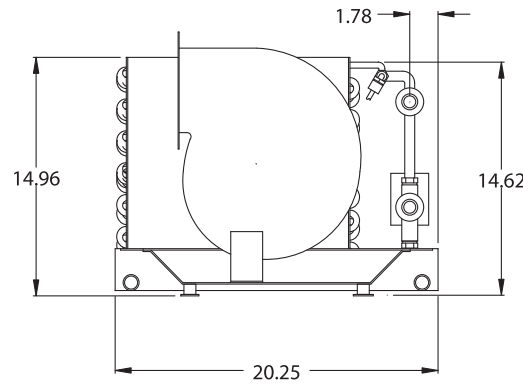
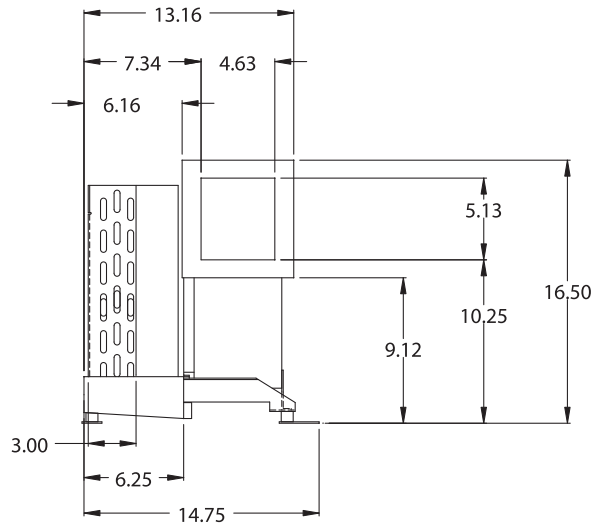


MOUNTING FEET (4) CAN BE
ROTATED TO THE ALTERNATE
POSITIONS SHOWN.



SHOWN WITH BLOWER
ROTATED 90°



WEIGHT = 32.75LBS.

ALL DIMENSIONS ±0.25"

REV	DATE	REVISION DESCRIPTION	DWG	APR	Dometic Corporation					
A	1/27/05	REMOVED MARINE AIR & PRELIMINARY NOTE, CAD082-05	DRR	JES						
					AT18HV AIR HANDLER					
					DATE: 8/12/04	DWG BY: DRR	PART NUMBER:	DWG	H3020099	REV A
					SCALE: 1:12	APR BY: JES	TBD			