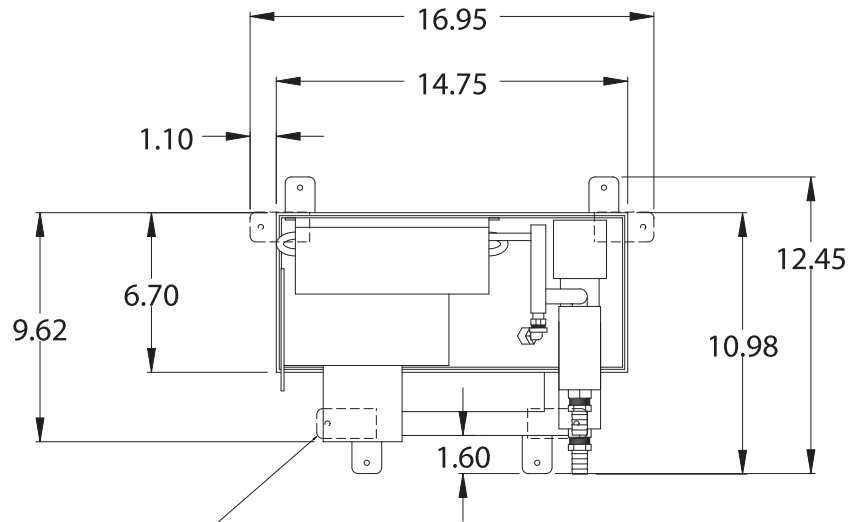
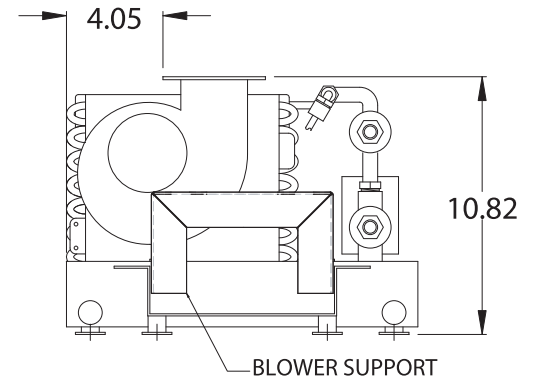


REMOTE ELEC. BOX
W/6' HARNESS

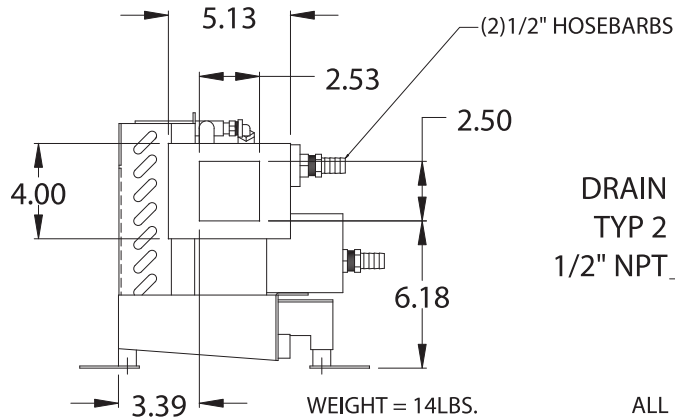


MOUNTING FEET (4) CAN BE
ROTATED TO THE ALTERNATE
POSITIONS SHOWN.



BLOWER SUPPORT
WITH BLOWER ROTATED 90°

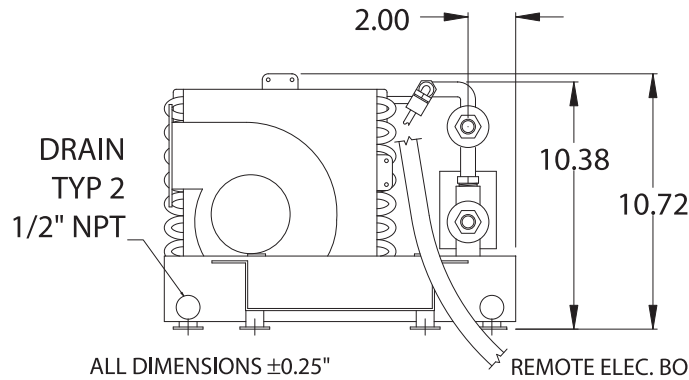
NOTE:
BLOWER SUPPORT(291602729)
IS INCLUDED ON ALL UNITS
ORDERED IN THE VERTICAL
OR RIGHT HAND CONFIGURATIONS
(L90,R90 & R180).
FOR LEFT HAND BLOWERS ROTATED
IN THE FIELD, THIS PART MUST BE
ORDERED SEPARATELY.



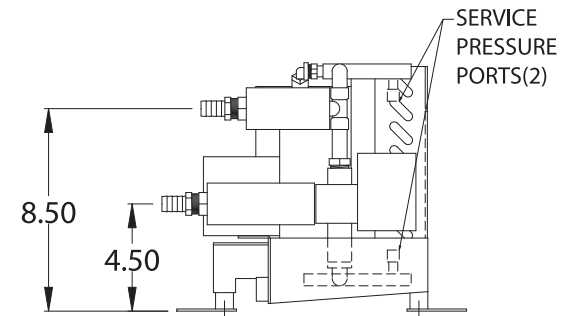
WEIGHT = 14LBS.

DRAIN
TYP 2
1/2" NPT

ALL DIMENSIONS ±0.25"



REMOTE ELEC. BOX HARNESS



SERVICE
PRESSURE
PORTS(2)

REV	DATE	REVISION DESCRIPTION	DWG	APR
A	8/17/04	REVISED TITLE,ADDED TOLERANCE NOTE,CAD563-04	DRR	JES
B	1/27/05	REMOVED MARINE AIR,CAD082-05	DRR	JES

Dometic Corporation			
AT4F AIR HANDLER			
DATE: 6/1/04	DWG BY: DRR	PART NUMBER: TBD	DWG
SCALE: 1:8	APR BY: JES		H3020092
			REV B