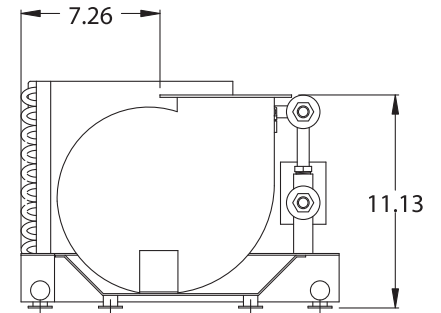
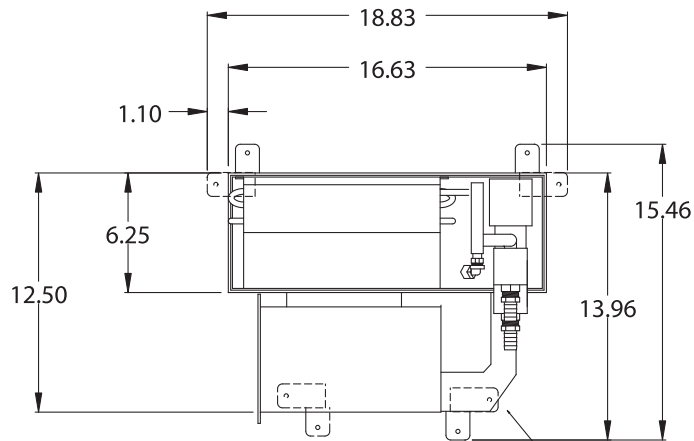
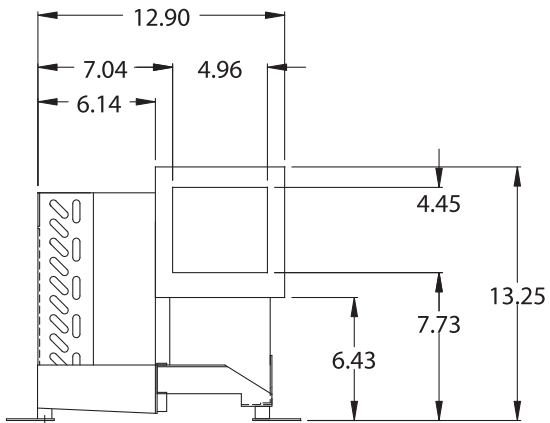


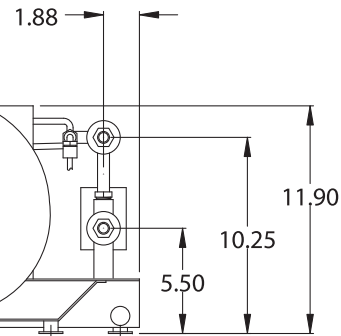
REMOTE ELEC. BOX
W/6' HARNESS



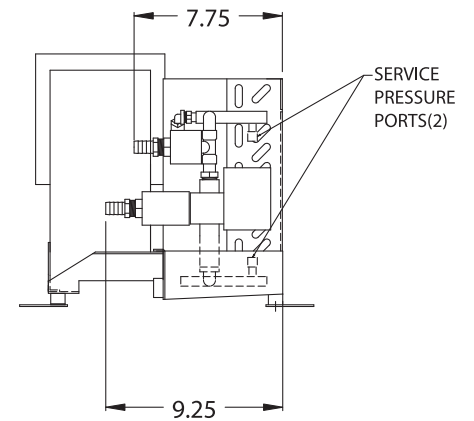
UNIT SHOWN WITH
BLOWER ROTATED 90°



DRAIN
TYP 2
1/2" NPT



MOUNTING FEET (4) CAN BE
ROTATED TO THE ALTERNATE
POSITIONS SHOWN.



SERVICE
PRESSURE
PORTS(2)

WEIGHT = 24 LBS.

ALL DIMENSIONS ±0.25"

DWG CREATED BY CAD438-04

REV	DATE	REVISION DESCRIPTION	DWG	APR	Dometic Corporation					
A	8/10/04	REVISED TITLE FROM AT9FZ,CAD548-04	DRR	JES	AT9HV AIR HANDLER					
B	8/17/04	RELOCATED BLOWER,REVISED TITLE,CAD560-04	DRR	JES						
C	1/27/05	REMOVED MARINE AIR,CAD082-05	DRR	JES						
D	2/11/05	REVISED HEIGHT DIMENSION,CAD106-05	DRR	JES						
					DATE: 6/29/04	DWG BY: DRR	PART NUMBER:	DWG	H3020096	REV D
					SCALE: 1:8	APR BY: JES	TBD			