

Wide variety of grills available

Aluminum, Wood Frame, Plastic & Plastic Snap-In Grills

Cruisair discharge and return air grills are available in a wide assortment of dimensions, styles and materials to blend with any yacht's interior.

The vanes of discharge grills are secured in nylon bushings for easy dependable positioning. RA-type return air grills have one row of fixed vanes. Wood return air grills have a lint screen, which can be removed for cleaning.

Round plastic discharge grills are also offered in several colors with and without shut-off dampers.

Now Available: **Micro-Particle Anti-Allergenic air filters** which are designed to capture diesel smoke, dust, lint, bilge odors, and pet dander. These filters mount to the unit's evaporator coil and are eight times more efficient than standard filters. Due to the high efficiency of these new filters, they should be inspected and replaced at frequent intervals. When using a filter on the unit, do not also have a filter on the grill as that would cause too much restriction of the airflow.

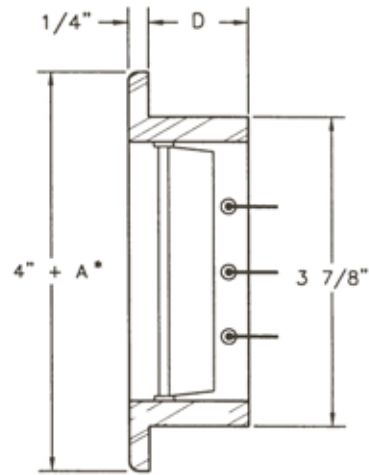
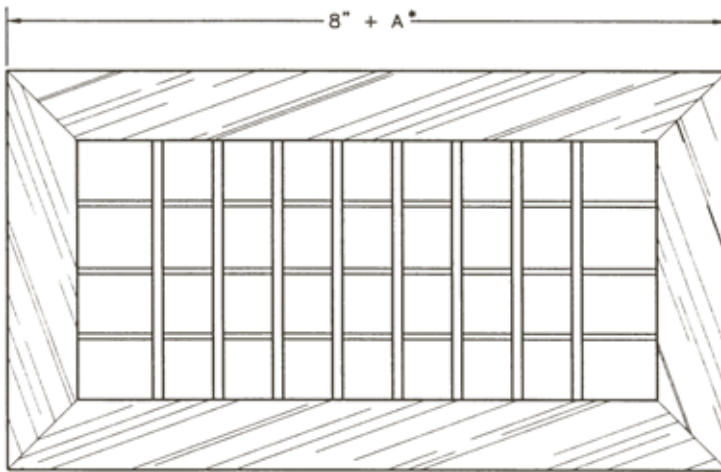
INTERPRETING MODEL NUMBERS

V	8	X	4	VH	-	T
All grills begin with the letter V	The first number is always the HORIZONTAL cut out size	X	The second number is always the VERTICAL cut out size			Material
						- No letter is anodized aluminum
						AS Ash
						C Cherry
						M Mahogany
						MA Maple
						O Oak (white)
						P Poplar
						T Teak
VH	Supply grill with two sets of blades. Front row is vertical.					
VML	Closable supply grill with two sets of blades. Front row is vertical, rear horizontal row closes.					
V	Supply grill with one vertical row of blades.					
WG	A 30° wedge shaped, wood supply grill with two sets of blades. Front row is vertical, rear horizontal.					
PGA	Plastic snap-in grill with one set of horizontal, adjustable blades. Often includes transition box.					
PG-RF	Plastic snap-in grill with one horizontal row of blades. Includes mounting ring and filter.					
RA	Return air grill with one set of horizontal blades.					
RAR	Return air grill with one row of horizontal blades, and a removable filter core.					
RAFB	Return air grill with one set of horizontal blades, with a removable filter.					

GRILL SIZING PER UNIT

Unit (BTUs)	Return		Supply	
	Sq. In	Sq. cm	Sq. In	Sq. cm
4,000	64	412.9	32	206.5
5,000	64	412.9	32	206.5
6,000	70	451.6	35	225.8
7,000	80	516.2	45	290.3
9,000	98	632.3	49	316.1
10,000	100	645.2	60	387.1
12,000	130	838.8	70	451.6
16,000	160	1032.3	80	516.2
18,000	200	1290.4	100	645.2
24,000	240	1548.5	140	903.3
30,000	350	2258.2	170	1096.8
36,000	360	2322.7	196	1264.6
48,000	480	3097.0	256	1651.7

Grill Example: V8X4 VH



Grill	Depth
VH	1 7/8"
VML	2 1/4"
V	3/4"
RA	1/2"
RAFB	1 1/2"
VH-T	1 3/8"
VML-T	1 7/8"
RA-T	7/8"
PG	1 1/4"

* Wood Grills: A = 15/16" +/- 1/16"

Aluminum: A = 1-5/8"

PARTIAL LISTING OF GRILLS

Aluminum Grills		
Return Air	Discharge	
V8X6 RA	V3X15 VH	V12X4 VH
V8X8 RA	V4X8 VH	V12X6 VH
V10X6 RA	V4X15 VH	V12X12 VH
V10X8 RA	V4X16 VH	V14X5 VH
V10X10 RA	V4X18 VH	V20X4 VH
V12X4 RA	V5X12 VH	
V12X6 RA	V6X4 VH	
V12X12 RA	V6X6 VH	V4X4 VML
V14X10 RA	V6X8 VH	V4X10 VML
V14X14 RA	V6X10 VH	V8X4 VML
V16X4 RA	V6X12 VH	V8X6 VML
V16X6 RA	V6X16 VH	V8X8 VML
V16X8 RA	V7X7 VH	V10X4 VML
V18X12 RA	V8X8 VH	V10X6 VML
V20X3 RA	V8X10 VH	V12X4 VML
V22X14 RA	V8X16 VH	V16X4 VML
V10X10 RAFB	V10X4 VH	
V12X12 RAFB	V10X10 VH	

Teak Grills		
Return Air	Discharge	
V4X8 RA-T	V3X15 VH-T	V12X8 VH-T
V4X12 RA-T	V4X4 VH-T	V12X10 VH-T
V6X8 RA-T	V4X15 VH-T	V12X12 VH-T
V8X8 RA-T	V6X4 VH-T	V16X4 VH-T
V10X6 RA-T	V6X6 VH-T	V20X4 VH-T
V10X8 RA-T	V6X10 VH-T	
V10X10 RA-T	V6X16 VH-T	V4X4 VML-T
V10X12 RA-T	V7X7 VH-T	V4X6 VML-T
V12X6 RA-T	V8X4 VH-T	V4X8 VML-T
V12X12 RA-T	V8X6 VH-T	V4X10 VML-T
V14X10 RA-T	V8X8 VH-T	V8X8 VML-T
V14X12 RA-T	V8X16 VH-T	V8X10 VML-T
V16X6 RA-T	V10X4 VH-T	V10X6 VML-T
V16X8 RA-T	V10X5 VH-T	V10X8 VML-T
V18X12 RA-T	V10X8 VH-T	V12X4 VML-T
V20X8 RA-T	V10X10 VH-T	
V22X6 RA-T	V12X4 VH-T	V12X6 WG-T
V22X14 RA-T	V12X6 VH-T	V16X4 WG-T

Round Plastic Grills	
V4 RND BLACK	V4 RND W/DAMP BLACK
V4 RND BROWN	V4 RND W/DAMP BROWN
V4 RND TAN	V4 RND W/DAMP TAN
V4 RND WHITE	V4 RND W/DAMP WHITE
V4 RND TAN	V4 RND W/DAMP GRAY

Plastic Snap-In Grills		
Return Air	Discharge	
V10X8 PG-RF	V3X3 PGA-3TB	V10X5 PGA-5TS
V10X10 PG-RF	V3X3 PGA-3TS	V12X4 PGA-5TB
V10X14 PG-RF	V4X4 PGA-4TB	V8X4 PGA-5TB
V12X12 PG-RF	V8X4 PGA-4TB	V10X8 PGA-6TB
V14X12 PG-RF	V10X5 PGA-5TB	V10X8 PGA-7TB
V16X8 PG-RF		

Dometic Corporation
Environmental Systems

P.O. Box 15299 • Richmond, VA 23227-0699 USA • Phone: 804-746-1313 • Facsimile: 804-746-7248
2000 N. Andrews Ave. Ext. • Pompano Beach, FL 33069-1497 USA • Phone: 954-973-2477 • Facsimile: 954-979-4414
For Sales and Service calls within Europe and the Middle East, Please contact +44 (0)870 330 6101

Email: sales@cruisair.com • Website: www.cruisair.com

Revised: 12-17-04 L-0239