

Blower Plenum Shown

Blower Plenum

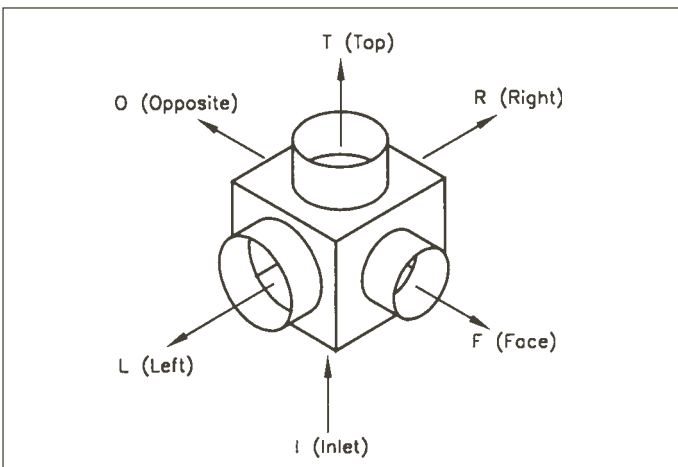
Blower plenums mount directly to blower outlets, which are different for each size blower. A plenum is selected by blower size and duct outlets. All blowers have rectangular openings, such that a blower plenum may be rotated 180° from listed orientation.

Box Plenum

Box plenums are similar to blower plenums, except the inlet is another duct connection. A box plenum has one inlet, with multiple outlets on any of the other box sides.

Grill Plenum

Grill plenums are available for most grill sizes. But any plenum with height (H) and width (W) dimensions greater than the grill cut out will work. Flanges are available on either the long or short sides, or both. Dual duct plenums (with two duct connections) are also available.

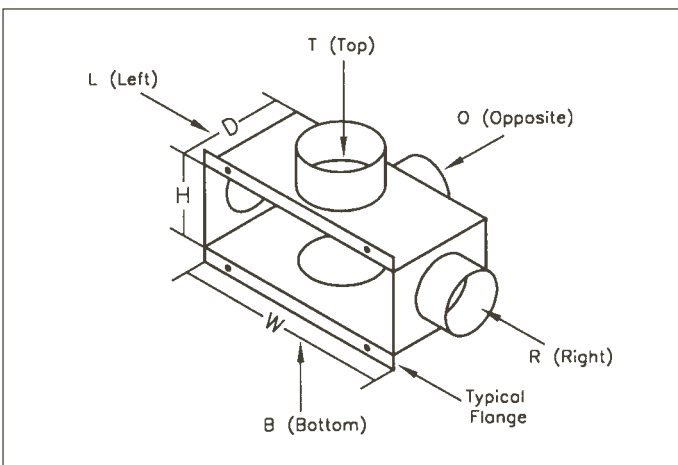


Box Plenum Shown

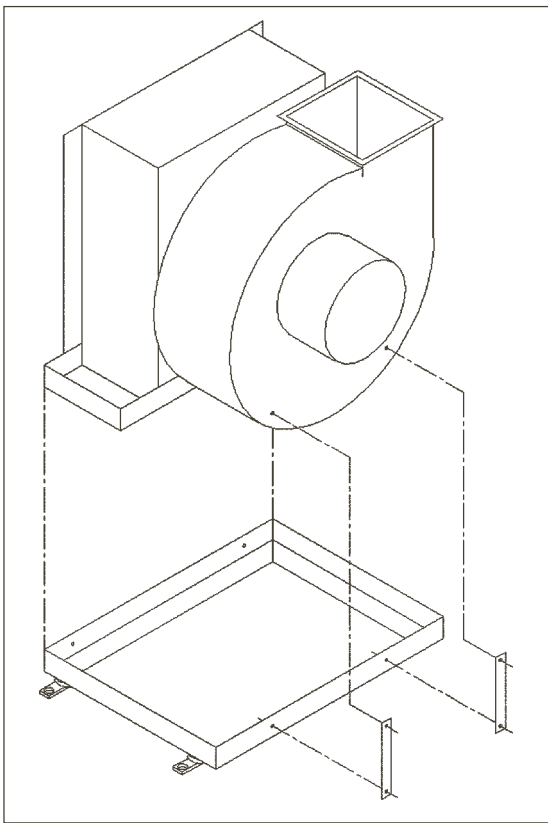
Mounting Frames

Mounting frames come in many configurations designed to be installed directly on the various evaporator units. They provide a shock mount to eliminate the transfer of any noise or vibration to the surface on which they are mounted. The frame includes a means of supporting the weight of the blower motor which extends out the back of the blower housing. This also addresses the need for some clearance below the units to accommodate the condensate drain fitting. The mounting frame kits include the necessary frame, brackets, hardware, and instructions to simplify the installation.

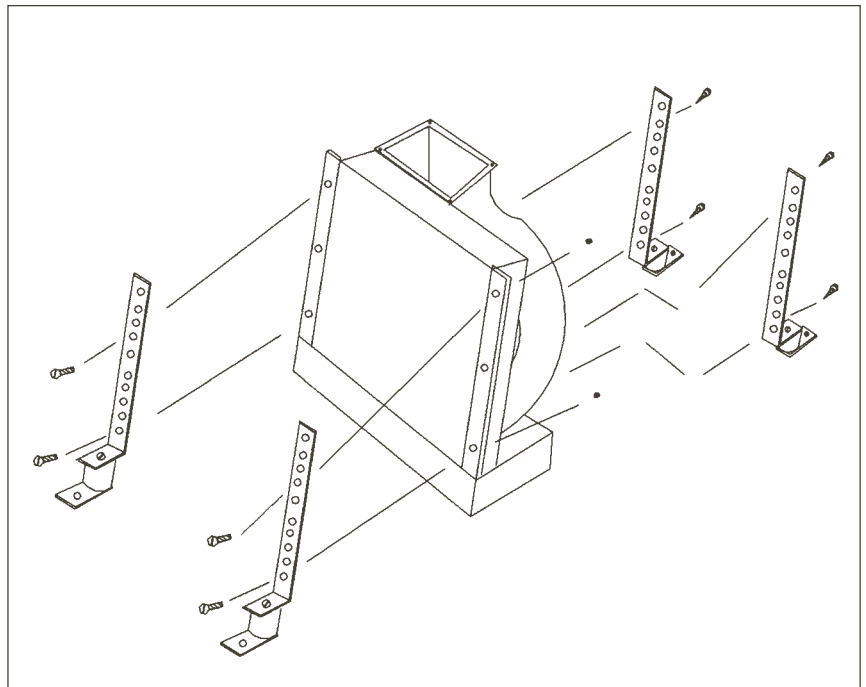
Also available is a universal mounting leg kit, which consists of four brackets or legs and the necessary hardware and instructions for installing on any type evaporator. The brackets are designed to provide a height adjustment on the units. Depending on the evaporator selected, the type of installation and the particular application, only three brackets may be required.



Grill Plenum Shown



Mounting Frame Shown



MK4L Shown

RECOMMENDED DUCT AND GRILL SIZES

MOUNTING FRAME APPLICATION

Model	Evaporator
MFBO-578	EFB4, 5, 7, & 8 / EBO4 & 5
MFO-7	EBO7 & 8
MFO-10	EBO10
MFB-10	EFB10
MFB-1216	EFB12 & 16
MFC-12	EBS12
MFC-1416S	EBS14 & 16
MFO-1216	EBO12 & 16
MFH-1216	EBH12 & 16
MFL-1216	EFL12 & 16
MK4L	Any EBO or EBU Unit

STOWAWAY AND COOLING UNITS

Unit Capacity (BTU/Hr)	Minimum Grill Areas				Minimum Duct Size	
	Return (sq in)	Return (sq cm)	Supply (sq in)	Supply (sq cm)	(in)	(mm)
4-5K	64	413	32	206	4	102
6K	70	452	35	226	5	127
7-8K	80	516	45	290	5	127
9K	98	632	49	316	6	152
10K	100	645	60	387	6	152
12K	130	839	70	452	6	152
16K	160	1032	80	516	7	178
18K	200	1290	100	645	8	203
20-24K	240	1548	140	903	9	229
30K	350	2258	170	1097	10	254
36K	360	2323	196	1265	10	254
48K	480	3097	256	1652	12	305
60K	570	3677	290	1871	12	305
72K	690	4452	350	2258	14	356

TEMPERED WATER CB AIR HANDLERS*

Unit Capacity (x1000 Btu/hr)	Duct Size		Minimum Grill Areas			
	(in)	(mm)	Return (in ²)	Return (cm ²)	Discharge (in ²)	Discharge (cm ²)
3-6	5	125	72	460	32	210
7.5-9	6	150	100	650	49	320
12	7	175	120	770	60	390
15-18	8	200	200	1290	70	450
21-24	9	225	220	1420	80	520

* See specification sheet L-2354 for the new ATBU model information.

Dometic Corporation
Environmental Systems

P.O. Box 15299 • Richmond, VA 23227-0699 USA • Phone: 804-746-1313 • Facsimile: 804-746-7248
2000 N. Andrews Ave. Ext. • Pompano Beach, FL 33069-1497 USA • Phone: 954-973-2477 • Facsimile: 954-979-4414
For Sales and Service calls within Europe and the Middle East, Please contact +44 (0)870 330 6101
Email: sales@cruisair.com • Website: www.cruisair.com

L-0859

Dometic The Sign of Comfort