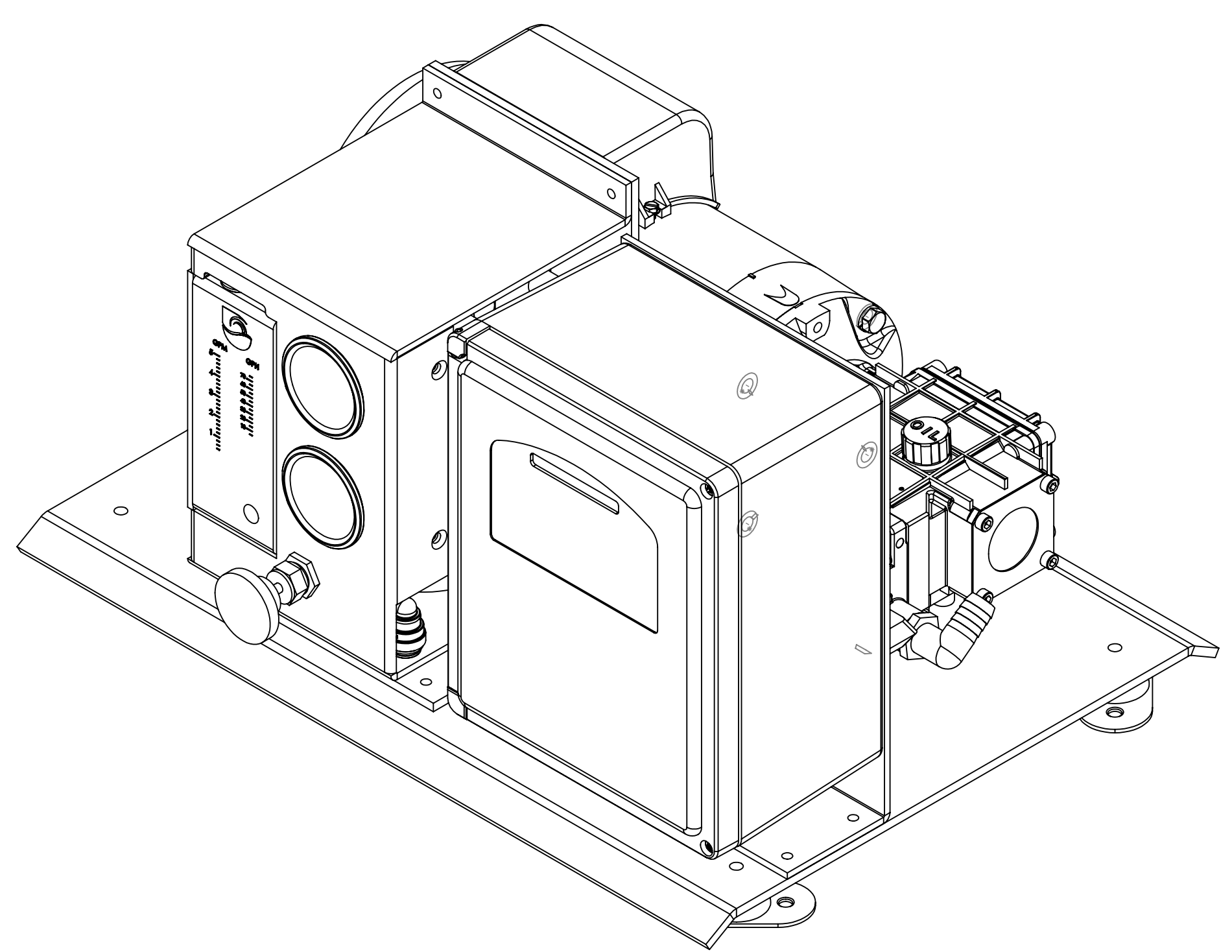
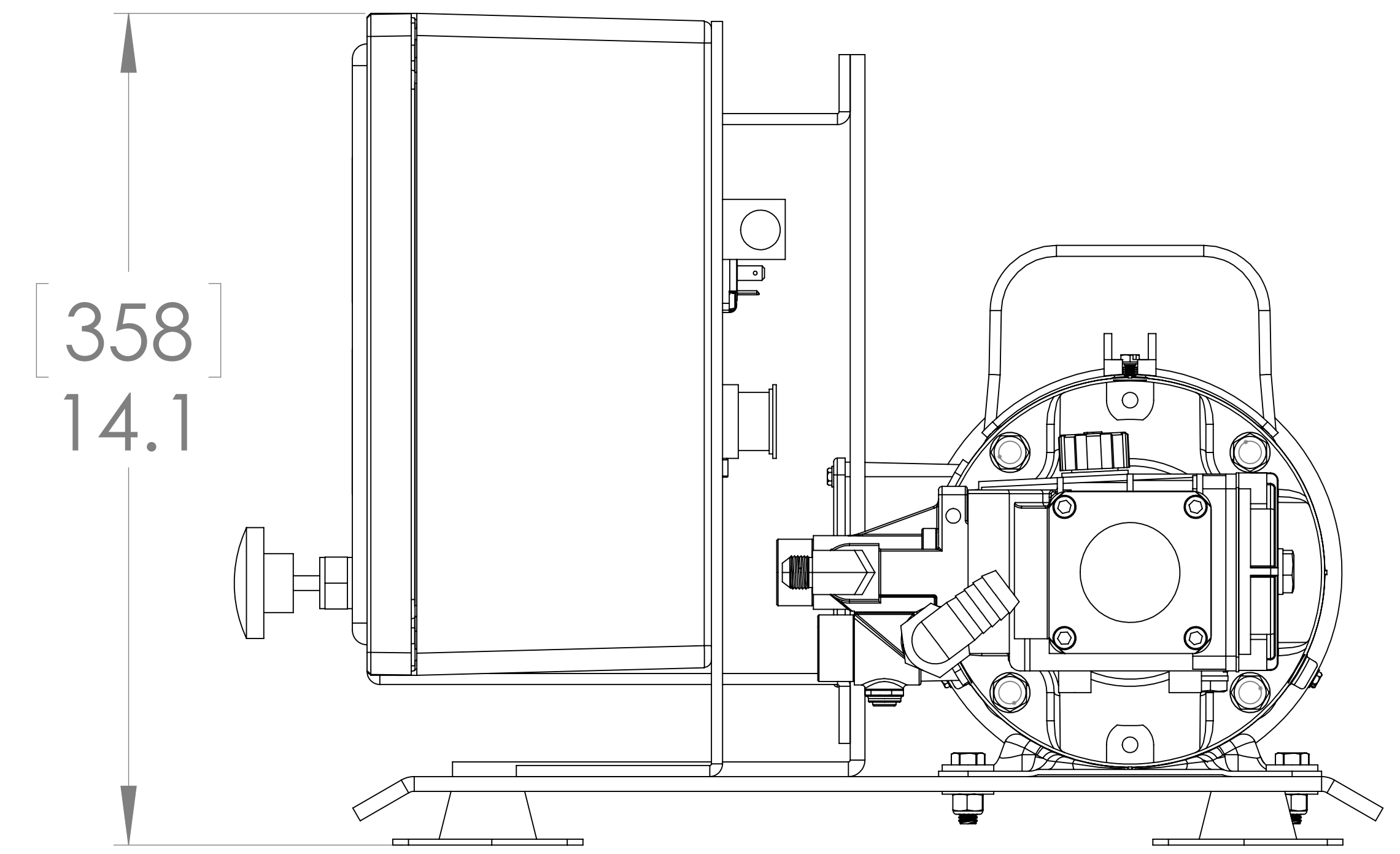
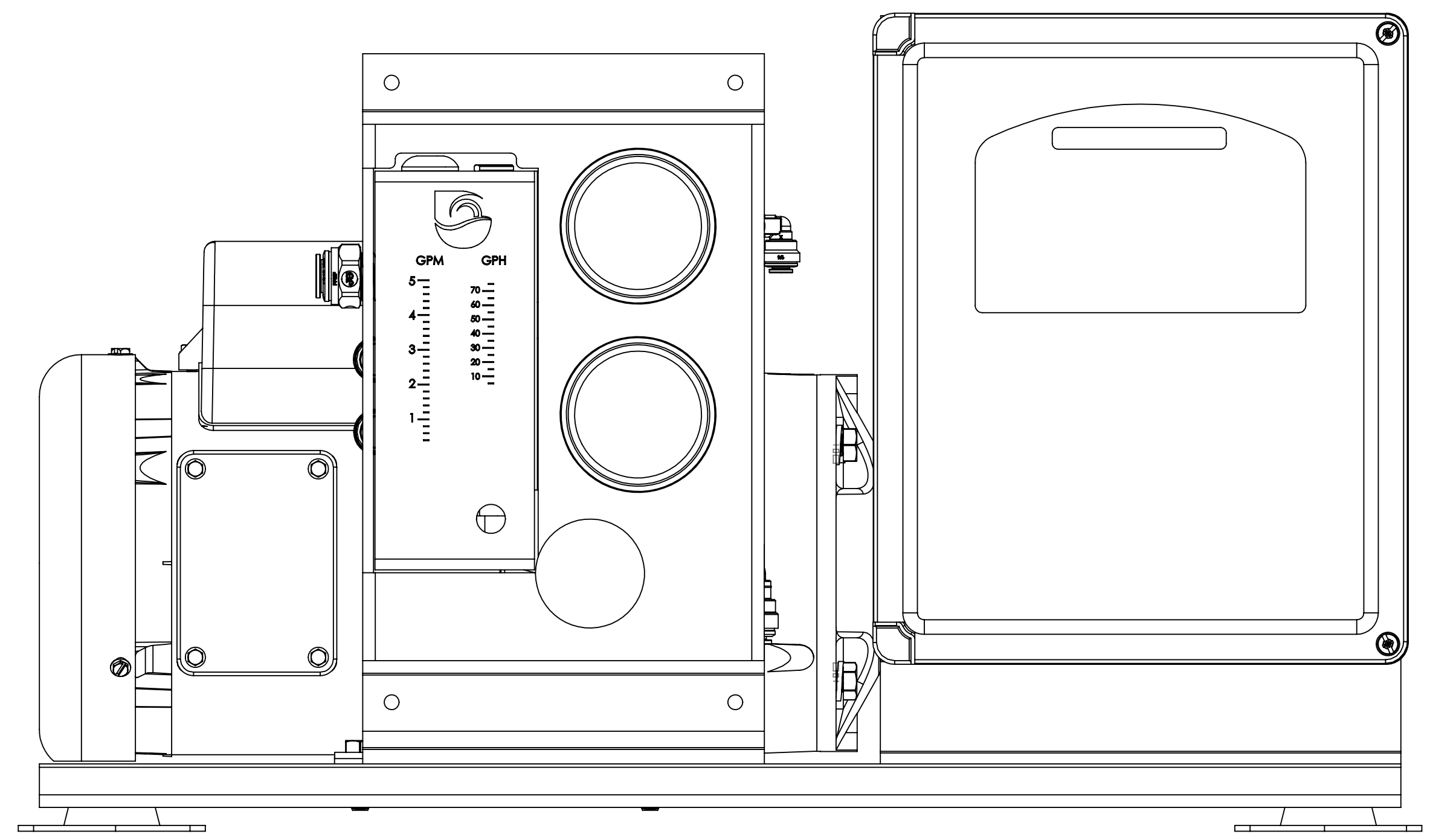
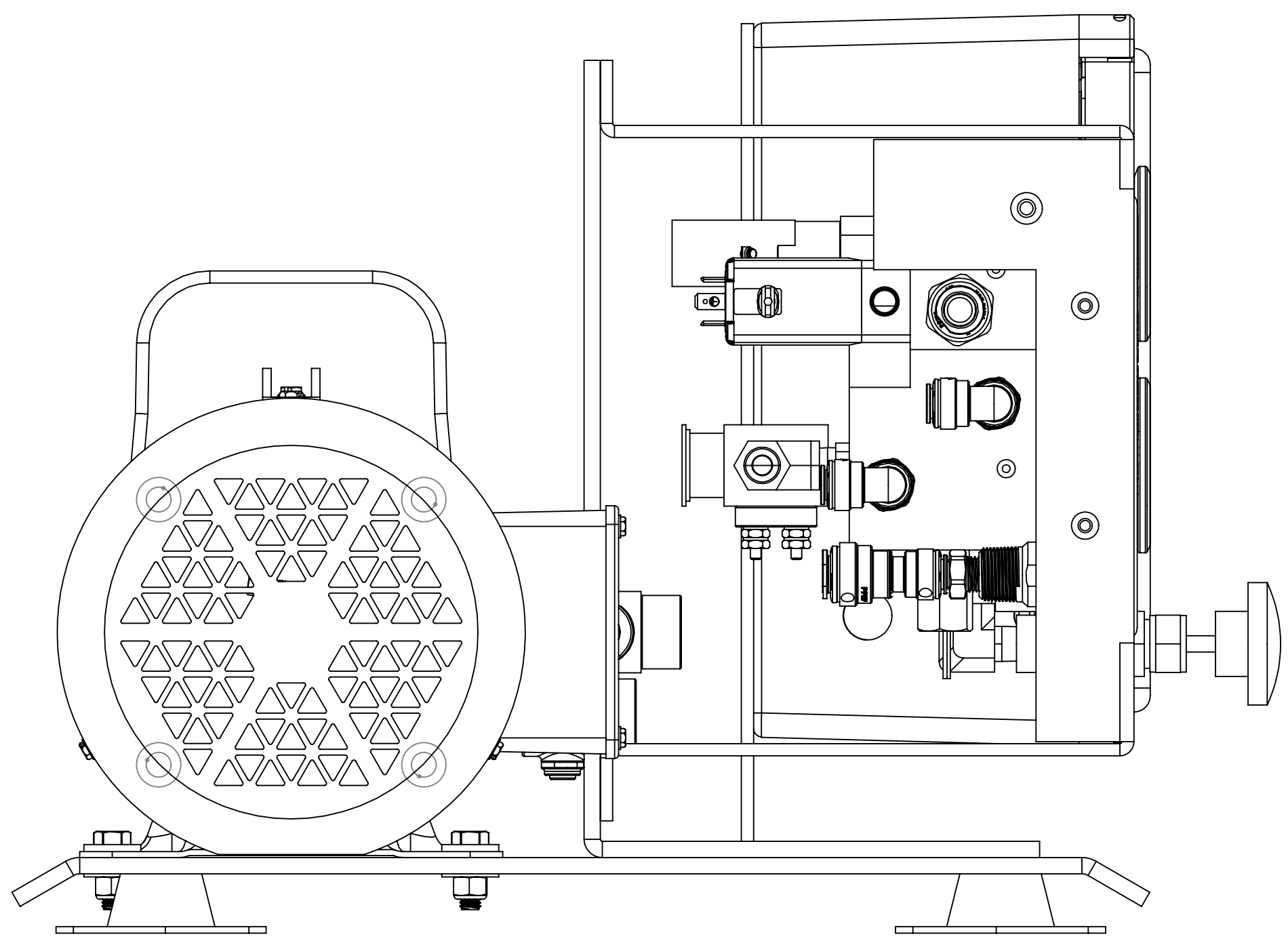
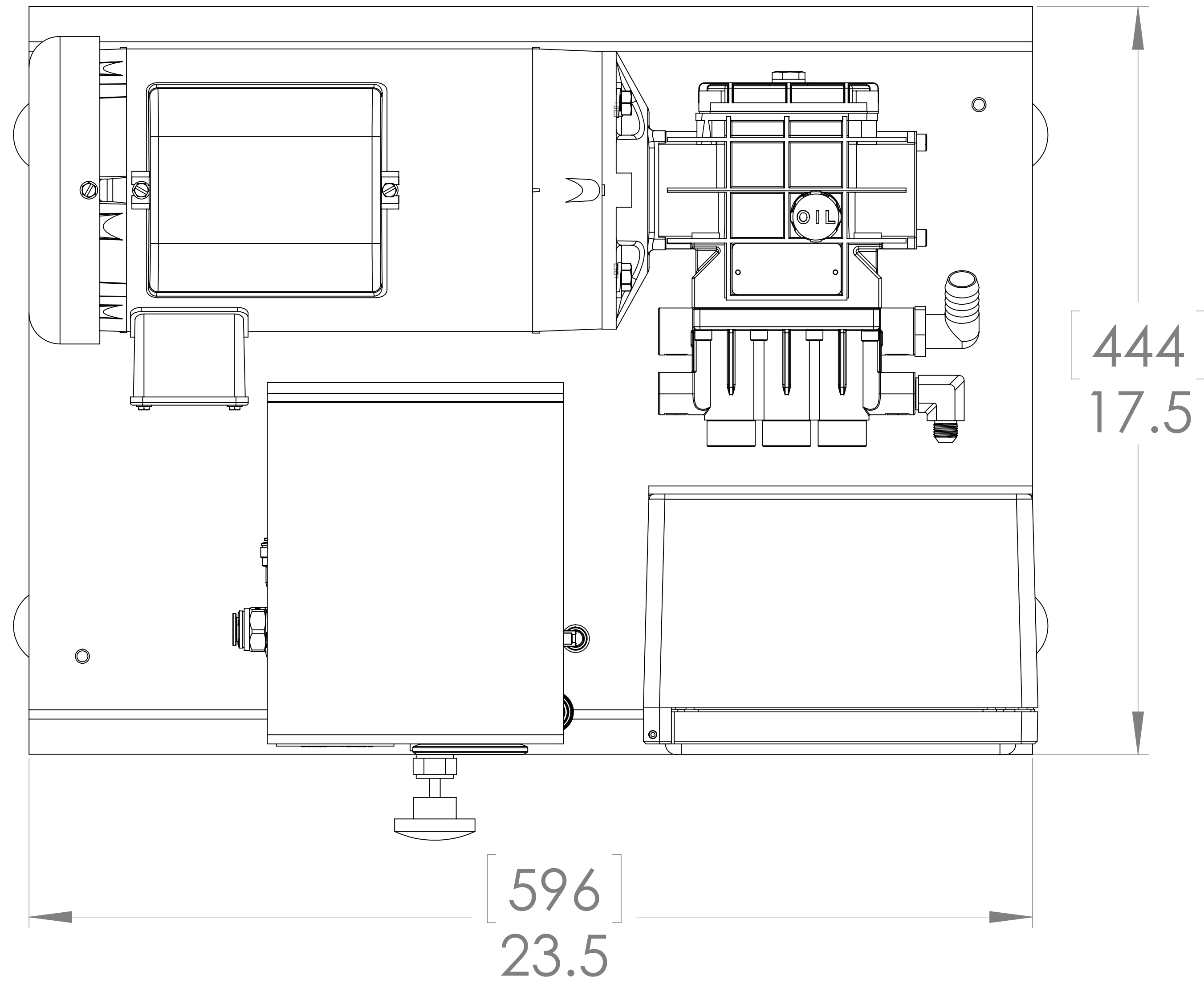


REVISIONS				
ZONE	REV.	DESCRIPTION	DATE	APPROVED
-	-	INITIAL RELEASE	5/19/2014	RC/CO



NOTICE OF CONFIDENTIALITY
 THE INFORMATION CONTAINED IN THIS DRAWING IS THE SOLE PROPERTY OF BLUE WATER DESALINATION LLC. ANY REPRODUCTION, CIRCULATION, AND DISTRIBUTION IN PART OR AS A WHOLE WITHOUT THE WRITTEN CONSENT OF BLUE WATER DESALINATION LLC IS STRICTLY PROHIBITED.

Blue Water
 1925 S. CAMERON SUITE 100
 CHRYSLER CO. 2000
 TULSA, OK 74104
 TEL: (918) 584-1474
 FAX: (918) 584-1474
 WWW.BLUEWATERDESALINATION.COM

EXPLORER SEMI-COMPACT

EXL1SC

SCALE: 1:1 WEIGHT: 100 LBS SHEET 1 OF 3

DO NOT SCALE DRAWING

FINISH: POWDER COAT

MATERIAL: VARIOUS

APPROVALS:

DESIGNED BY	1/20/14
CHECKED BY	1/20/14
DATE	1/20/14
APPROVED BY	1/20/14