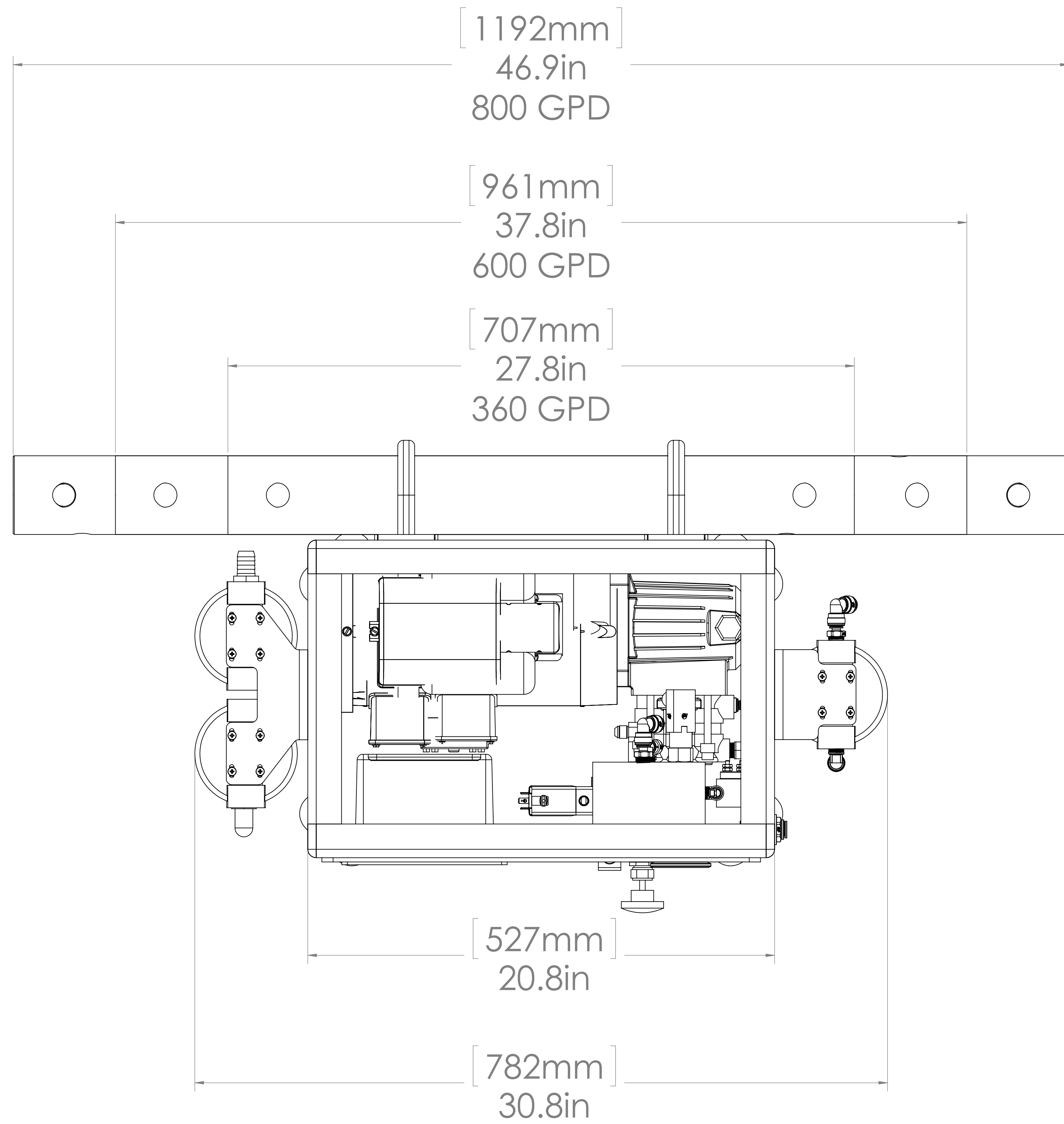
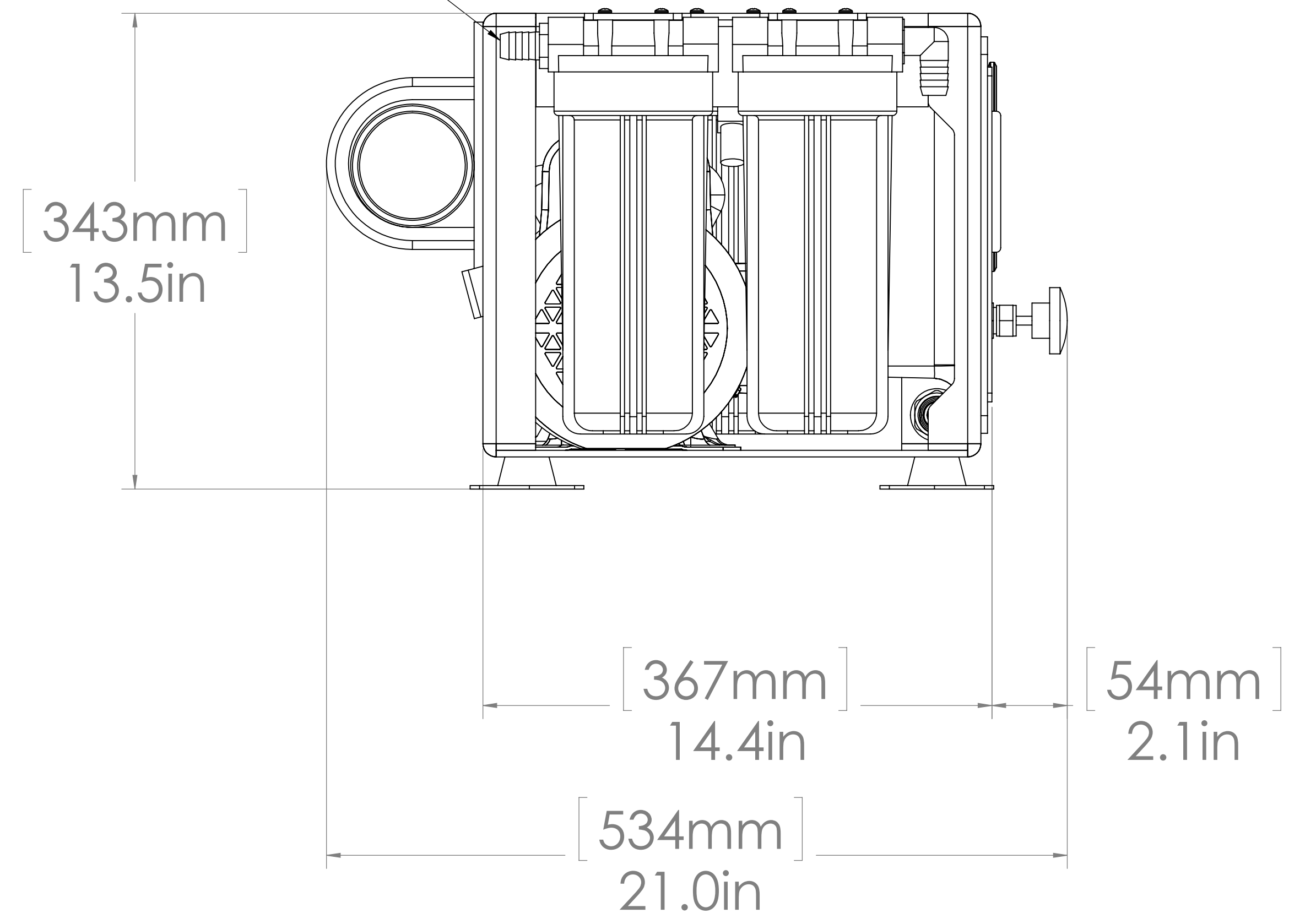


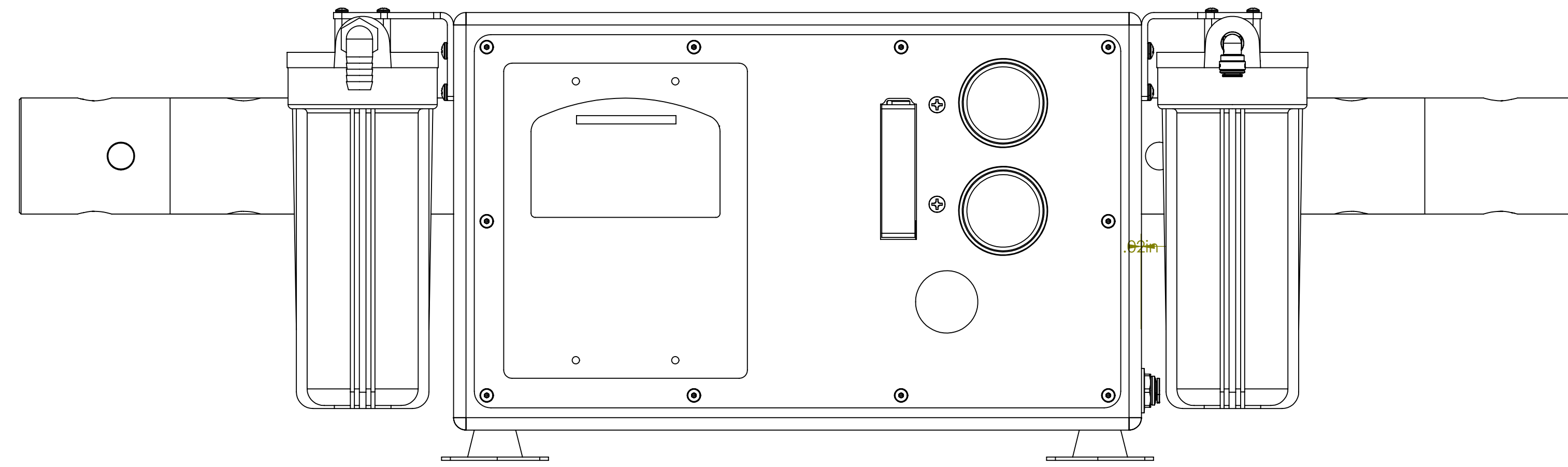
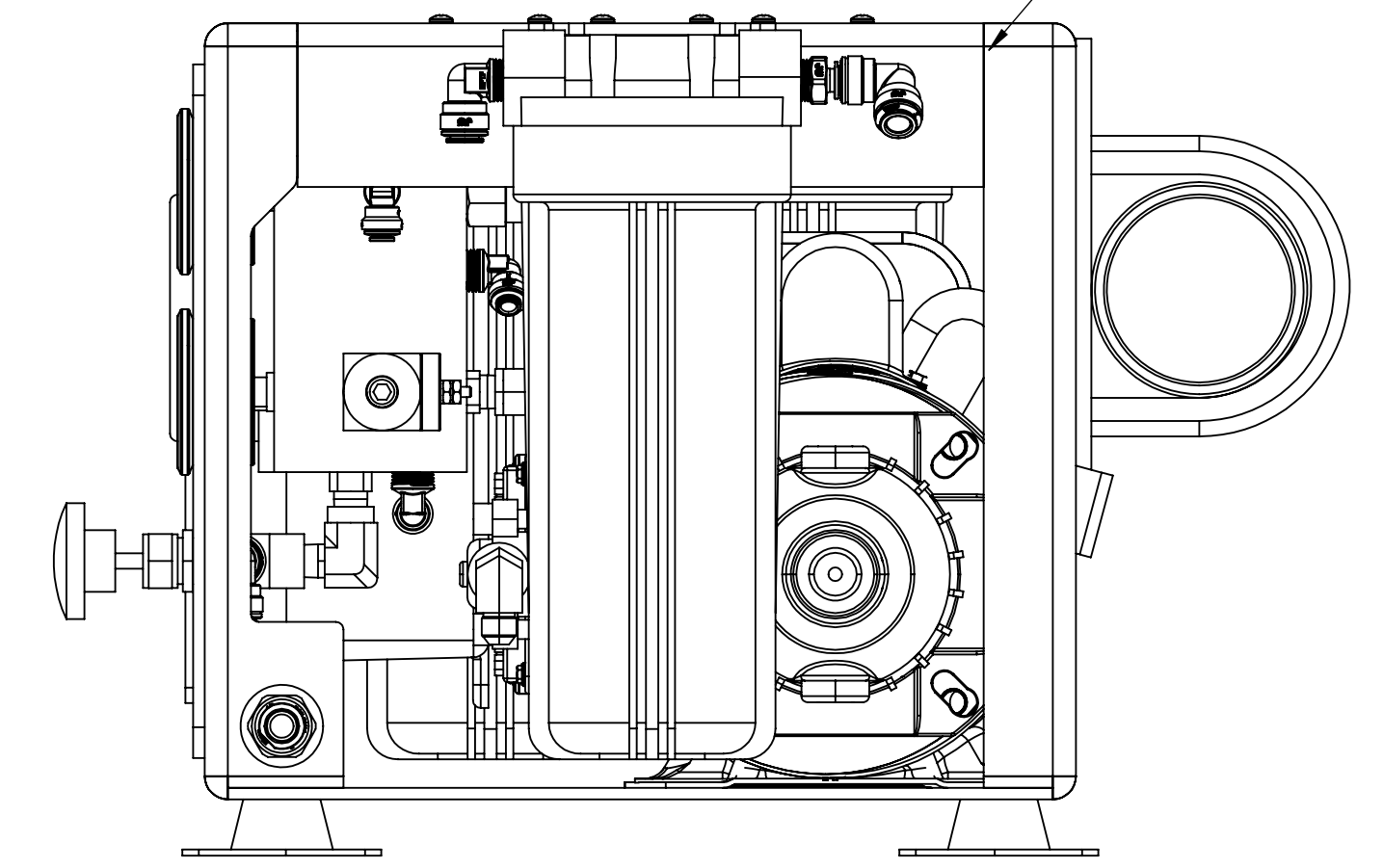
REVISIONS				
ZONE	REV.	DESCRIPTION	DATE	APPROVED



SEAWATER INLET



PRODUCT WATER OUTLET



NOTICE OF CONFIDENTIALITY
 THE INFORMATION CONTAINED IN THIS DRAWING IS THE SOLE PROPERTY OF BLUE WATER DESALINATION LLC. ANY REPRODUCTION, CIRCULATION, AND DISTRIBUTION IN PART OR AS A WHOLE WITHOUT THE WRITTEN CONSENT OF BLUE WATER DESALINATION LLC IS STRICTLY PROHIBITED.

WARRANTY
 UNLESS OTHERWISE SPECIFIED, THIS DRAWING AND THE WORKS HEREUNDER SHALL BE CONSIDERED TO BE THE PROPERTY OF BLUE WATER DESALINATION LLC. THE WORKS SHALL BE CONSIDERED TO BE THE PROPERTY OF BLUE WATER DESALINATION LLC. THE WORKS SHALL BE CONSIDERED TO BE THE PROPERTY OF BLUE WATER DESALINATION LLC.

Blue Water
 1000 S. CALLEJALES SUITE 100
 SAN ANTONIO, TX 78205
 TEL: (210) 588-1474
 WWW.BLUEWATERDESALINATION.COM

TITLE: EXPRESS, WATER PURIFICATION SYSTEM

DRAWING NUMBER: EXPRESS NR

SCALE: 1:1 **WEIGHT:** 100 LBS **SHEET 1 OF 1**

REVISIONS:

NO.	DATE	DESCRIPTION
1	1/20/21	ISSUE FOR MANUFACTURE
2	1/20/21	ISSUE FOR MANUFACTURE
3	1/20/21	ISSUE FOR MANUFACTURE
4	1/20/21	ISSUE FOR MANUFACTURE
5	1/20/21	ISSUE FOR MANUFACTURE
6	1/20/21	ISSUE FOR MANUFACTURE
7	1/20/21	ISSUE FOR MANUFACTURE
8	1/20/21	ISSUE FOR MANUFACTURE
9	1/20/21	ISSUE FOR MANUFACTURE
10	1/20/21	ISSUE FOR MANUFACTURE

APPROVALS:

NAME	DATE
DRAWN: C. CUMMINS	1/20/21
CHECK: C. CUMMINS	1/20/21
INSP: B. BIRD	1/20/21
QUAL: B. BIRD	1/20/21
CHIEF: C. CUMMINS	1/20/21

MATERIAL: VARIOUS
FINISH: POWDER COAT
DO NOT SCALE DRAWING