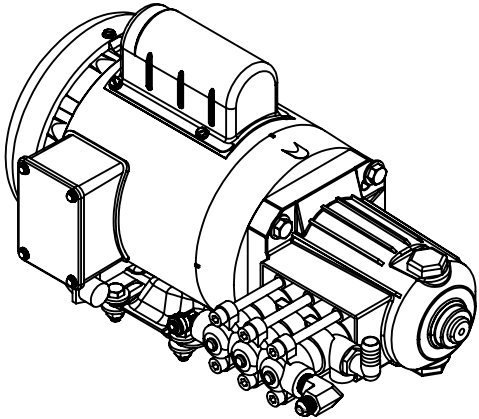
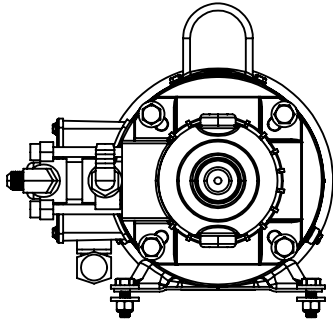
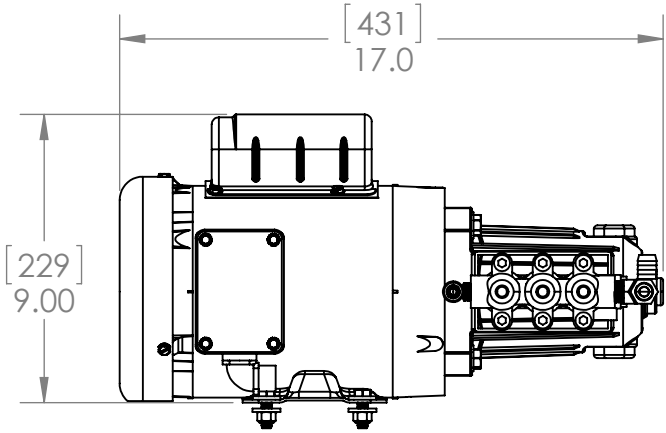
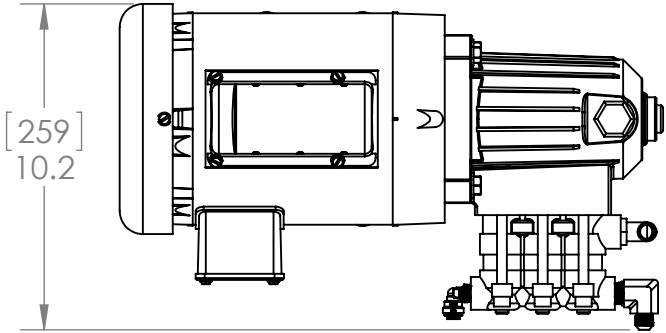


REVISIONS				
ZONE	REV.	DESCRIPTION	DATE	APPROVED
	-	INITIAL RELEASE	5/18/2014	RC/CO



NOTICE OF CONFIDENTIALITY

THE INFORMATION CONTAINED IN THIS DRAWING IS THE SOLE PROPERTY OF BLUE WATER DESALINATION LLC. ANY REPRODUCTION, CIRCULATION, AND DISTRIBUTION IN PART OR AS A WHOLE WITHOUT THE WRITTEN CONSENT OF BLUE WATER DESALINATION LLC IS STRICTLY PROHIBITED.

MATERIAL:
FINISH:
DO NOT SCALE DRAWING

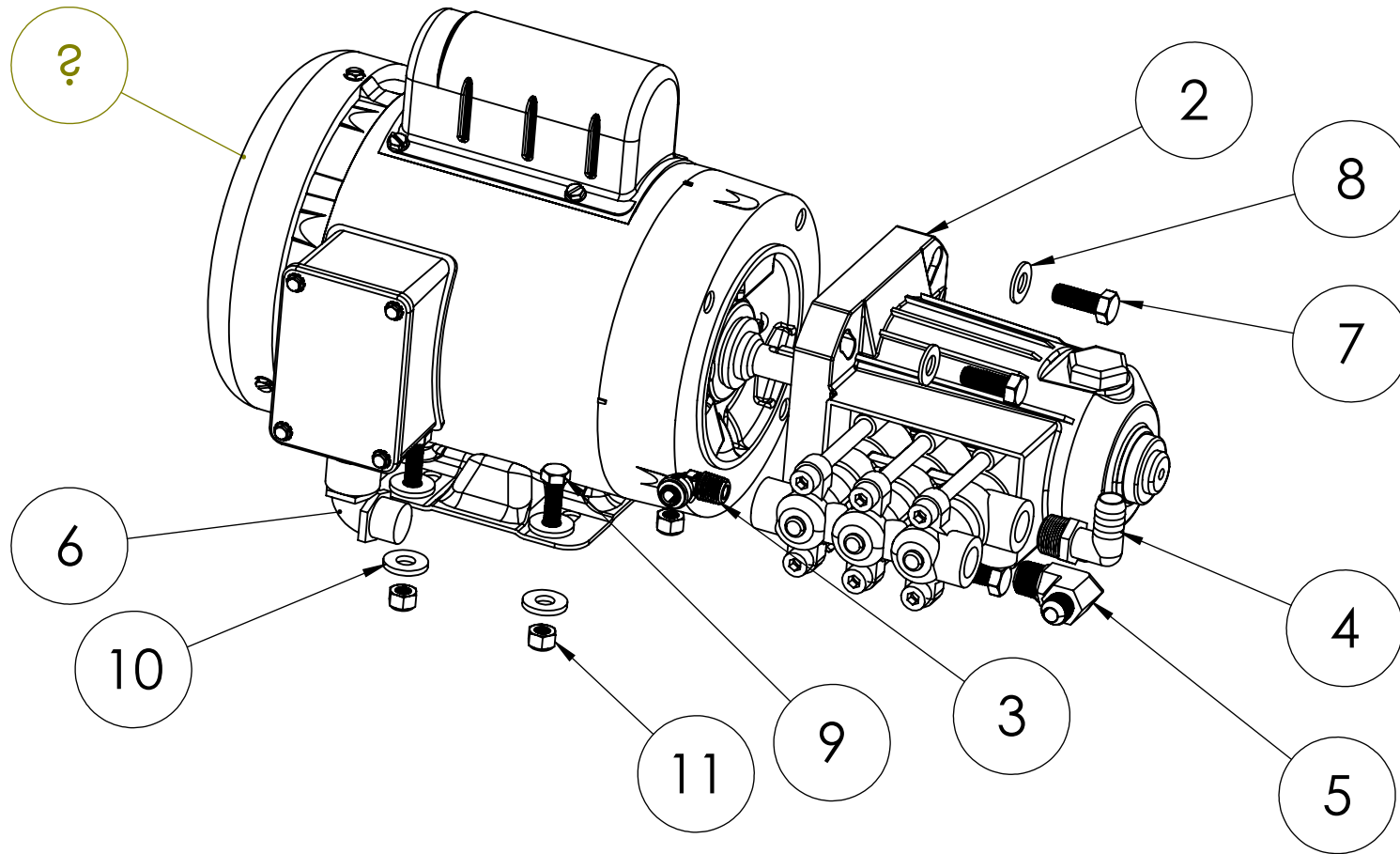
TOLERANCES
UNLESS OTHERWISE SPECIFIED:
DIMENSIONS ARE IN INCHES AND MILLIMETER
FRACTIONAL: ± 1/16" ± 1.5mm
ANGULAR: ± 1 DEG ± 2.5mm
X ± .01" ± 0.50mm
XX ± .001" ± 0.50mm
XXX ± .005" ± 0.127mm

APPROVALS	DATE
DRAWN	
CHECK	
MFG	
QUAL	
CHIEF	

Blue Water
DESALINATION
1930 E. CARSON ST. SUITE 103
CARSON, CA 90810
TEL: 1 (855) 53 DESAL
FAX: 1 (310) 484 - 1474
www.BlueWaterDesalination.com

TITLE:
PMP-MTR, ASSY, HP, 1PH, 0.5GPM

SIZE	DRAWING NUMBER	REV
D	PM3301	-
SCALE:	WEIGHT:	SHEET 1 OF 2



ITEM NO.	PartNo	DESCRIPTION	QTY.
1	A10172710	MOTOR, 0.5HP, 50/60Hz, 1PH, 1HP - 56C	1
2	A111701	PUMP, HP, 0.5 GPM, SS, LH	1
3	B101709	ELB90, .25 TUBE X .25 MNPT, QK	1
4	B100732	ELB90, .625 BARB X .375 NPT, NYL	1
5	B101605	ELB90, -6 X .375 MNPT, SS	1
6	E280225	STRAIN RELIEF, ELB, CONDUIT, 0.5	1
7	G18212220	BOLT, HEX, .375-16, 1 IN, SS	4
8	G18110133	WASHER, FLAT, 3/8", SS	4
9	G18212228	BOLT, HEX, .3125-18, 1 IN, SS	4
10	G18100128	WASHER, FLAT, .3125, OS, SS	8
11	G18042128	NUT, HEX, LOCKING, .3125-18, SS	4
12	E282420	CONN, SPLICING, 28-14 AWG, 3 COND	2
13	E282320	CONN, SPLICING, 28-14 AWG, 2 COND	3

NOTICE OF CONFIDENTIALITY
 THE INFORMATION CONTAINED IN THIS DRAWING IS THE SOLE PROPERTY OF BLUE WATER DESALINATION LLC. ANY REPRODUCTION, CIRCULATION, AND DISTRIBUTION IN PART OR AS A WHOLE WITHOUT THE WRITTEN CONSENT OF BLUE WATER DESALINATION LLC IS STRICTLY PROHIBITED.

MATERIAL:
 FINISH:
 DO NOT SCALE DRAWING

TOLERANCES
 UNLESS OTHERWISE SPECIFIED:

FRACTIONAL:	± 1/16" ± 1.5mm
ANGULAR:	± 1 DEG
X	± .01" ± .25mm
XX	± .001" ± 0.50mm
XXX	± .005" ± 0.127mm

APPROVALS	DATE
DRAWN	
CHECK	
MFG	
QUAL	
CHIEF	

Blue Water
 DESALINATION
 1930 E. CARSON ST. SUITE 103
 CARSON, CA 90810
 TEL: 1 (855) 53 DESAL
 FAX: 1 (310) 684 - 1474
 www.BlueWaterDesalination.com

TITLE:
 PMP-MTR, ASSY, HP, 1PH, 0.5GPM

SIZE	DRAWING NUMBER	REV
D	PM3301	-
SCALE:	WEIGHT:	SHEET 2 OF 2